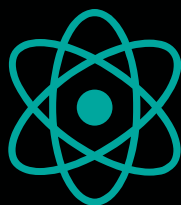


atom

ULTRA COMPACT LED NICHE LIGHT

CONCRETE



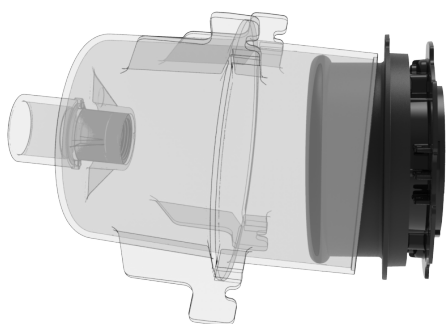
atom



The **ATOM** Series from Spa Electrics, combines premium design and LED performance in a package small enough to fit anywhere. Perfect for pools with step and beach entries that require illumination, but with the performance to light even the largest of pools

Featuring German engineered LED's and optics for superior light distribution, detachable cable for hassle-free service and Spa Electrics' patented DuoSink® heat sink technology, ensuring the **ATOM** Series will keep performing year after year.

The **ATOM** Series is designed and manufactured in Australia and backed by Spa Electrics' industry-leading customer care network. For more information on the **ATOM** Series and our other products, please visit www.spaelectrics.com



SIMPLE INSTALLATION

Self-adjusting Leveling Ring ensures the light sits flush to the pool wall with a stylish, flush mount design



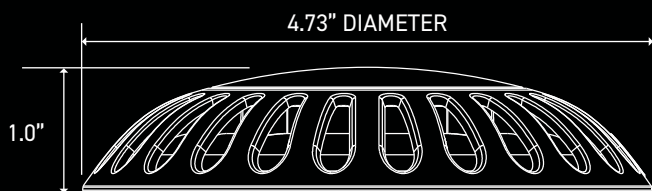
BUILT SMART

The innovative Direct Connect Plug provides seamless installation and hassle-free servicing for years to come



BUILT POWERFUL

Maximize light performance with the **ATOM's** combination of advanced optics and engineered components to deliver maximum efficient output



The **ATOM Series** is designed and manufactured in Australia and backed by Spa Electrics' industry leading customer care network.

For more information on the **ATOM** Series and our other products, please visit: www.spaelectrics.com



Production Specifications

VOLTAGE:	10.5 ~ 13v AC
WATTAGE:	12w
INGRESS PROTECTION:	IPX8
SUITABLE FOR:	Concrete Pools

LED Color

MULTI PLUS	RGB+W	Varies	850lm
WHITE	White	4000k	850lm
BLUE	Blue	460nm	180lm

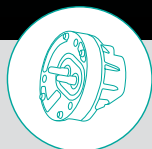
LED Array

Wavelength

Lumens

Hardware Specification

POOL CONTROLLERS:	Compatible with most major brand pool controllers
TRANSFORMER:	Compatible with LiTYARD 2 & LVX Series



QUICK CONNECT PLUG



INDUSTRY LEADING BRIGHTNESS



STANDARD HOLE SIZE



YEAR SERVICE WARRANTY

Spa Electrics®

spaelectrics.com



2023/1/07