



SE Spa Electrics®

CATALOG

spaelectrics.com



MISSION STATEMENT

“

Spa Electrics designs, manufactures and provides the underwater lighting industry with the highest quality pool lighting products and associated equipment. Quality and Innovation defines both our Brand and Products. We pride ourselves on being passionate and providing exceptional service and support to the industry. We strive to achieve increased sustainability and efficiency across all levels of our business. We seek to build and retain long term relationships and partnerships which are mutually respectful and profitable.

”

Our mission is to build on our long history of product excellence and technological innovation to provide the highest-quality and most reliable products to our customers world-wide.



Kevin Rust
Chief Executive Officer

INDEX

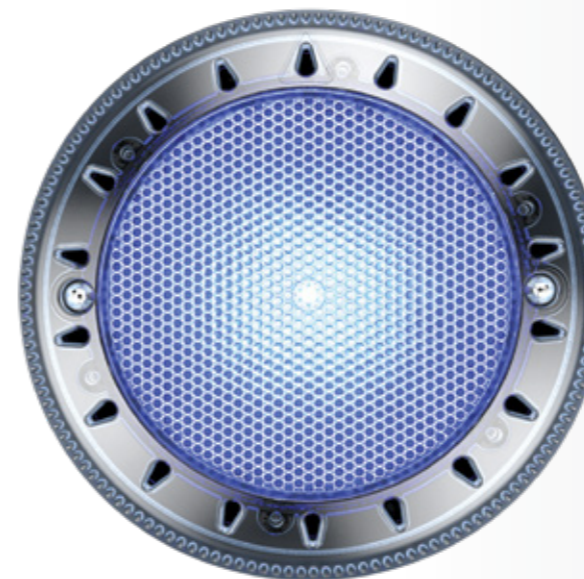
| | |
|-------------------------------|----|
| QUANTUM Series | 3 |
| ARGON Series | 7 |
| TITAN Series | 11 |
| ATOM Series | 15 |
| ARGON NICHELESS Series | 21 |
| RETRO R10 Series | 25 |
| RETRO R8 Series | 31 |
| RETRO R6 Series | 35 |
| RETRO N1 Series | 39 |
| RETRO T1 Series | 43 |
| LITYARD 2 Series | 47 |
| LVX Series | 51 |
| iBOOST PRO Series | 55 |
| PHOTOMETRIC Data | 59 |
| ORDER CODE Legend | 61 |



QUANTUM SERIES



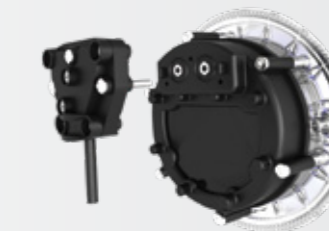
QUANTUM Series



- High intensity Ceramic Light Engine (LED) Technology
- Market leading brightness and efficiency
- Available in Blue, White or MULTI PLUS
- Direct-Connect Patented detachable electrical connection
- Suitable for Concrete pools
- IPX8 waterproof rating
- UL Certified
- Designed and manufactured in Australia
- 3 Year Warranty

The 6" Quantum Series is the ultimate underwater LED swimming pool light. With its superior performance & light distribution coupled with this robust construction and stylish looks, it's the perfect light for any installation. The Quantum Series advanced features ensures for simple installation and hassle-free servicing every time, with its innovative self-levelling mounting ring and detachable power cord.

The Quantum Series is designed and manufactured in Australia and backed by Spa Electrics' industry leading customer care network and 3-year warranty.



DETACHABLE POWER CORD



SELF LEVELING MOUNTING RING



TOP & REAR ENTRY 6" NICHES

QUANTUM Series

CONCRETE POOLS

| Part Number* | Description |
|----------------|--|
| Q6C L12 L3 CMP | 1 x QUANTUM 6" SERIES MULTI PLUS LIGHT + CONCRETE MOUNTING KIT + 100FT CABLE |
| Q6C L12 L3 CBL | 1 x QUANTUM 6" SERIES BLUE LIGHT + CONCRETE MOUNTING KIT + 100FT CABLE |
| Q6C L12 L3 CW4 | 1 x QUANTUM 6" SERIES WHITE LIGHT + CONCRETE MOUNTING KIT + 100FT CABLE |
| Q6C L12 L3 CRD | 1 x QUANTUM 6" SERIES RED LIGHT + CONCRETE MOUNTING KIT + 100FT CABLE |
| Q6C L12 L4 CMP | 1 x QUANTUM 6" SERIES MULTI PLUS LIGHT + CONCRETE MOUNTING KIT + 150FT CABLE |
| Q6C L12 L4 CBL | 1 x QUANTUM 6" SERIES BLUE LIGHT + CONCRETE MOUNTING KIT + 150FT CABLE |
| Q6C L12 L4 CW4 | 1 x QUANTUM 6" SERIES WHITE LIGHT + CONCRETE MOUNTING KIT + 150FT CABLE |
| Q6C L12 L4 CRD | 1 x QUANTUM 6" SERIES RED LIGHT + CONCRETE MOUNTING KIT + 150FT CABLE |

REPLACEMENT LIGHTS

| Part Number* | Description |
|---------------|--|
| Q6 L12 L0 CMP | 1 x QUANTUM 6" SERIES MULTI PLUS LIGHT |
| Q6 L12 L0 CBL | 1 x QUANTUM 6" SERIES BLUE LIGHT |
| Q6 L12 L0 CW4 | 1 x QUANTUM 6" SERIES WHITE LIGHT |
| Q6 L12 L0 CRD | 1 x QUANTUM 6" SERIES RED LIGHT |

SPARE PARTS

| Part Number* | Description | Part Number* | Description |
|-----------------|---|--------------|---|
| WN909 US | QUANTUM 6" CONCRETE MOUNTING RING | Q6C 014 | QUANTUM 6" CONCRETE REPLACEMENT NUT, GLAND AND WASHER |
| WNP9 18AWG 100 | QUANTUM 6"- 100FT 18AWG CABLE WITH PLUG | WN903 | QUANTUM 6" CONCRETE REPLACEMENT WATERPROOF PLUG COVER |
| WNP9 18AWG 150 | QUANTUM 6"- 150FT 18AWG CABLE WITH PLUG | WN9082 R US | QUANTUM 6" CONCRETE REAR ENTRY NICHE WITH GLAND & FOAM INSERT |
| SCREW 6-20 X 64 | QUANTUM 6" REPLACEMENT MOUNTING SCREWS- 10 PACK | WN9082 US | QUANTUM 6" CONCRETE TOP ENTRY NICHE WITH GLAND & FOAM INSERT |
| SCREW M3.5 X 25 | QUANTUM 6" REPLACEMENT SCREWS- 10 PACK | | |

PRODUCT SPECIFICATIONS

| Parameter | Specification |
|----------------------------|---------------|
| VOLTAGE: | 10.5-13v AC |
| WATTAGE: | 12w |
| INGRESS PROTECTION: | IPX8 |

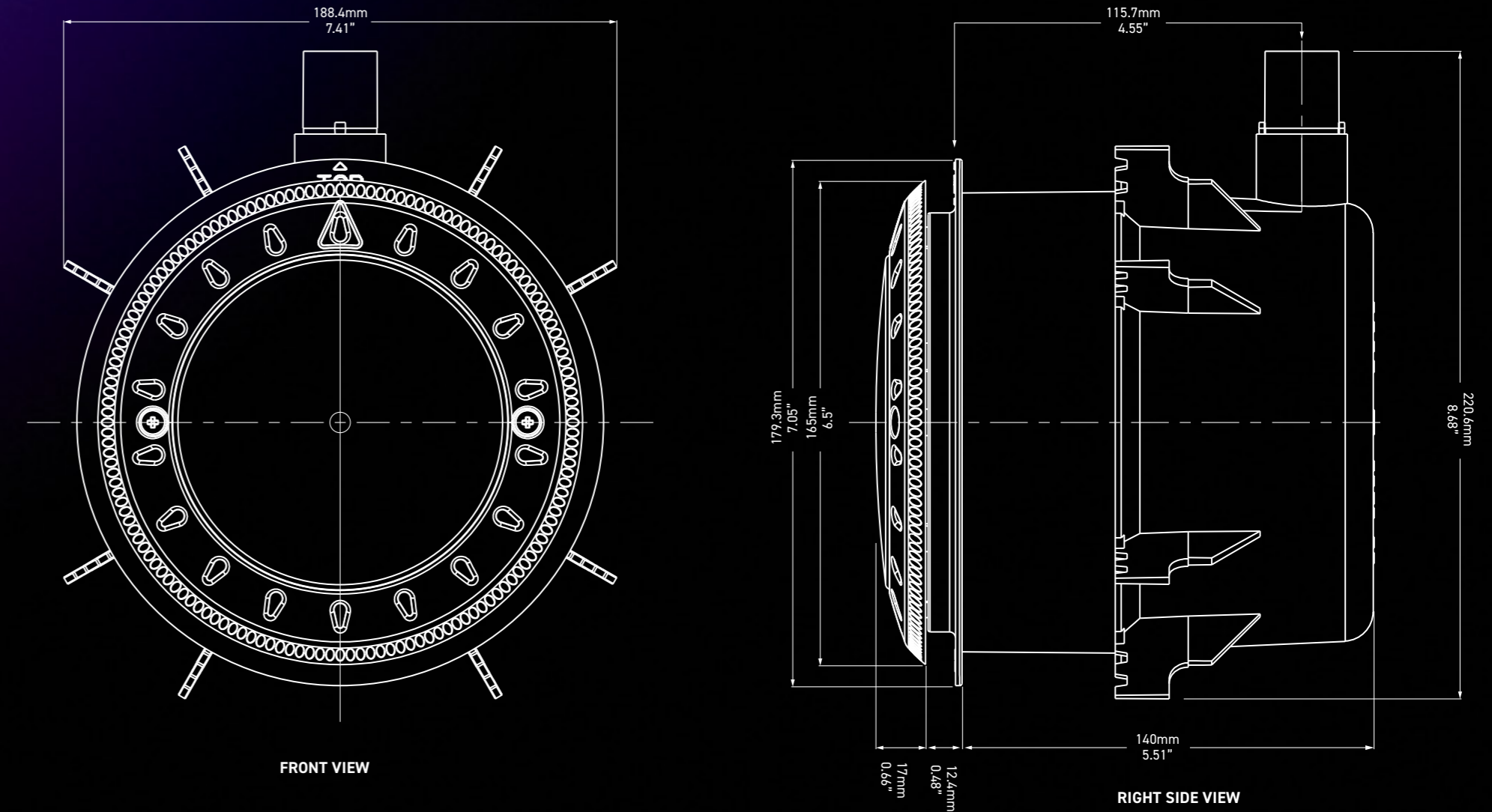
PRODUCT OPTIONS

| LED Color | LED Array | Wavelength | Lumens | Color Range |
|--------------------|--------------|------------|--------|-------------|
| MULTI-PLUS* | RGB+W | VARIABLE | 850lm | |
| BLUE | BLUE | 460nm | 180nm | |
| WHITE | WHITE | 4000k | 850lm | |

*Compatible with most major brand pool controllers.

QUANTUM SERIES

Overall DIMENSIONS



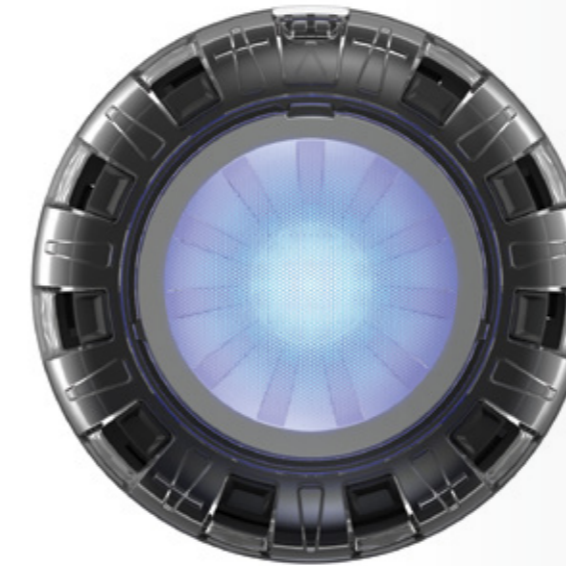
Dimensions subject to change without notice. Document released 08/05/2025



BUILT FOR VINYL & FIBERGLASS POOLS



ARGON Series



- High intensity Ceramic Light Engine (LED) Technology
- Market leading brightness and efficiency
- Available in MULTI PLUS
- Direct-Connect Patented detachable electrical connection
- Suitable Vinyl & Fiberglass pools
- IPX8 waterproof rating
- UL Certified
- Designed and manufactured in Australia
- 3 Year Warranty

The Argon Series has been designed and built to withstand the most extreme of climate conditions, while still delivering a superior lighting performance. From the strength and durability of its components, to its class leading LED performance; every aspect of the Argon 3" has been developed with the industry in mind.

Its premium German engineered LED's and advanced optics are coupled with the industry's first forward-facing Heat Sink design; delivering a slim, modern profile while maximizing the cooling efficiency by forcing heat forward, into the pool – not the niche.

With the ARGON Quick-Connect plug attachment system and superior niche cable storage; the ARGON can be winterized in minutes and the smart niche cover will ensure the plug and niche are protected, in even the harshest climates.

The Argon Series is designed and manufactured in Australia and backed by Spa Electrics' industry leading customer care network and 3-year warranty.



DETACHABLE POWER CORD



WINTERIZATION SYSTEM



ROBUST 3" NICHE

ARGON Series

FIBERGLASS POOLS

| Part Number* | Description |
|----------------|---|
| N3F L12 L3 CMP | 1 x ARGON 3" MULTI PLUS LIGHT + FIBERGLASS NICHE + FIBERGLASS CLAMP KIT + 100FT |
| N3F L12 L4 CMP | 1 x ARGON 3" MULTI PLUS LIGHT + FIBERGLASS NICHE + FIBERGLASS CLAMP KIT + 150FT |

VINYL POOLS

| Part Number* | Description |
|----------------|--|
| N3V L12 L3 CMP | 1 x ARGON 3" MULTI PLUS LIGHT + VINYL NICHE + VINYL CLAMP KIT + WINTER KIT + 100FT CABLE |
| N3V L12 L4 CMP | 1 x ARGON 3" MULTI PLUS LIGHT + VINYL NICHE + VINYL CLAMP KIT + WINTER KIT + 150FT CABLE |

REPLACEMENT LIGHTS

| Part Number* | Description |
|--------------|-------------------------------|
| N3 L12 L0 MP | 1 x ARGON 3" MULTI PLUS LIGHT |

SPARE PARTS

| Part Number* | Description | Part Number* | Description |
|--------------|---|------------------|--|
| N3 003 | ARGON 3" PLUG TOP KIT | N3 18AWG 100 | ARGON 3" - 100FT CABLE 18AWG CABLE WITH PLUG |
| N3 004 CL | ARGON 3" RIM CLEAR | N3 18AWG 150 | ARGON 3" - 150FT CABLE 18AWG CABLE WITH PLUG |
| N3V 001 | ARGON 3" VINYL WINTERISATION KIT | N3V 013 | ARGON 3" VINYL NICHE KIT |
| N3V 005 | ARGON 3" VINYL CONICAL NUT AND WASHER | N3V 18AWG 100 US | ARGON 3"- 100FT 18AWG CABLE WITH PLUG AND VINYL NICHE ASSEMBLY |
| N3V 006 | ARGON 3" VINYL CLAMP RING + 4 FASTENERS | N3V 18AWG 150 US | ARGON 3"- 150FT 18AWG CABLE WITH PLUG AND VINYL NICHE ASSEMBLY |

PRODUCT SPECIFICATIONS

| Parameter | Specification |
|----------------------------|---|
| VOLTAGE: | 10.5-13v AC |
| WATTAGE: | 15w |
| INGRESS PROTECTION: | IPX8 |
| SUITABLE FOR: | COMPOSITE & STEEL WALL VINYL & FIBERGLASS POOLS |

PRODUCT OPTIONS

| LED Color | LED Array | Wavelength | Lumens | Color Range |
|--------------------|--------------|------------|--------|---|
| MULTI-PLUS* | RGB+W | VARIABLES | 1000lm | <input type="radio"/> <input type="radio"/> <input type="radio"/> <input type="radio"/> <input type="radio"/> <input type="radio"/> <input type="radio"/> <input type="radio"/> <input type="radio"/> <input type="radio"/> <input type="radio"/> <input type="radio"/> <input type="radio"/> <input type="radio"/> <input type="radio"/> |

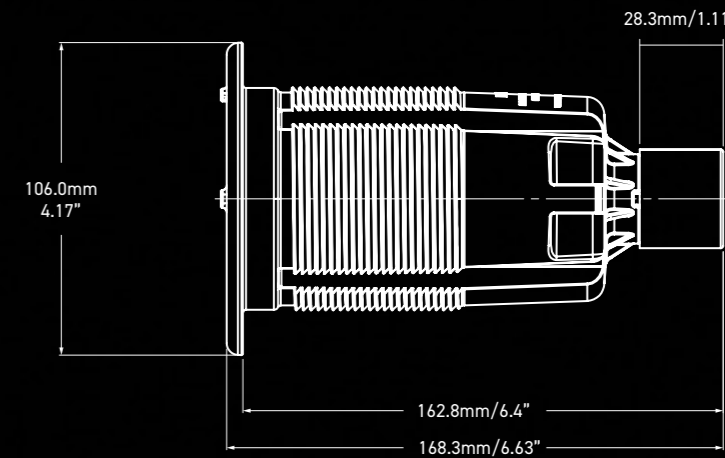
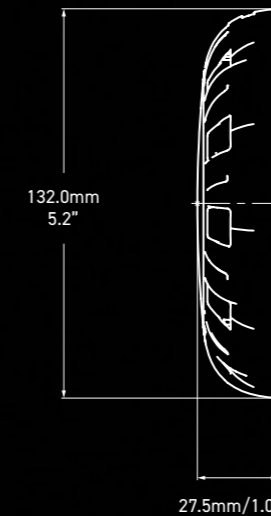
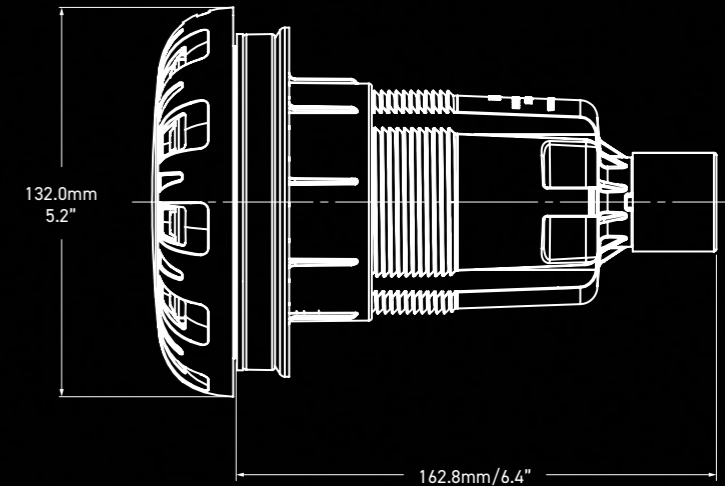
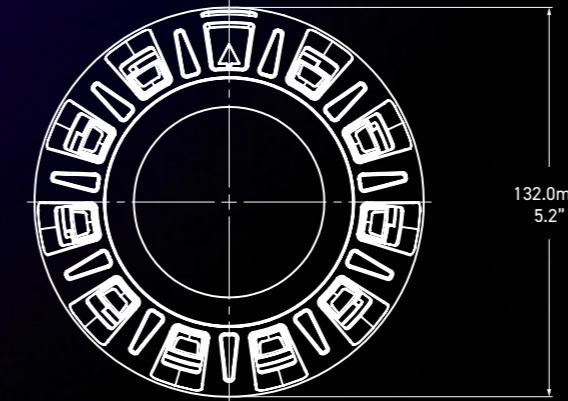
*Compatible with most major brand pool controllers.



ARGON

BUILT FOR VINYL & FIBERGLASS POOLS

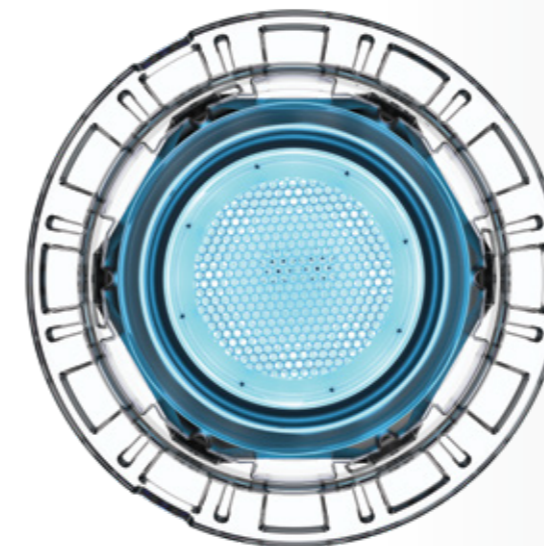
Overall DIMENSIONS



Dimensions subject to change without notice. Document released 08/05/2025



TITAN Series

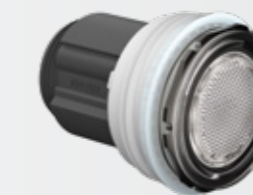


- High Intensity Ceramic Light Engine (LED) Technology
- Water-Cooled Titanium Heat Sink
- Available in Multi Plus
- Quick-Connect Detachable Electrical Connection
- Suitable for Concrete, Vinyl, & Fiberglass Pools
- IPX8 Waterproof Rating
- UL Certified
- Designed and Manufactured in Australia
- 3-Year Warranty

The TITAN Series from Spa Electrics, represents the culmination of over 40 years experience in underwater lighting design. Its robust design is sleek and unobtrusive, with its transparent facade allowing it to seamlessly blend into any pool design.

Featuring a host of technically advanced features, including an titanium heat sink for maximum cooling and LED longevity, with detachable plug and curly cable for hassle-free service and German engineered LED's and optics for superior light distribution and performance.

The TITAN Series is designed and manufactured in Australia and backed by Spa Electrics' industry leading customer care network and 3-year warranty.



TITANIUM HEAT-SINK



QUICK-CONNECT PLUG



**THREE RIM COLORS
AND TWO SIZES**

TITAN Series

CONCRETE POOLS

| Part Number* | Description |
|----------------|---|
| T1C L12 L3 CMP | 1 x TITAN T1 MULTI PLUS DB LIGHT + CONCRETE CLEAR RIM + CONCRETE BULKHEAD + 1.5" THREAD + 100FT CABLE |
| T1C L12 L4 CMP | 1 x TITAN T1 MULTI PLUS DB LIGHT + CONCRETE CLEAR RIM + CONCRETE BULKHEAD + 1.5" THREAD + 150FT CABLE |

FIBERGLASS /VINYL POOLS

| Part Number* | Description |
|-----------------|---|
| T1FV L12 L3 WMP | 1 x TITAN T1 MULTI PLUS DB LIGHT + FIBERGLASS/VINYL WHITE RIM + 1.5" THREAD + 100FT CABLE |
| T1FV L12 L4 WMP | 1 x TITAN T1 MULTI PLUS DB LIGHT + FIBERGLASS/VINYL WHITE RIM + 1.5" THREAD + 150FT CABLE |
| T1FV L12 L3 GMP | 1 x TITAN T1 MULTI PLUS DB LIGHT + FIBERGLASS/VINYL GREY RIM + 1.5" THREAD + 100FT CABLE |
| T1FV L12 L4 GMP | 1 x TITAN T1 MULTI PLUS DB LIGHT + FIBERGLASS/VINYL GREY RIM + 1.5" THREAD + 150FT CABLE |

REPLACEMENT LIGHTS

| Part Number* | Description |
|--------------|---|
| T1 L12 L0 MP | 1 x TITAN T1 MULTI PLUS DB LIGHT ONLY + 1.5" THREAD |

SPARE PARTS

| Part Number* | Description | Part Number* | Description |
|--------------|---|-----------------|--|
| T1 001 | TITAN T1 PLUG COVER | T1FV 004 GY | TITAN T1 FIBERGLASS/VINYL GREY RIM |
| T1 003 | TITAN T1 PLUG TOP KIT | T1FV 004 WH | TITAN T1 FIBERGLASS/VINYL WHITE RIM |
| T1C 009 | TITAN T1 CONCRETE BULKHEAD FOR 2" PIPE WITH CAP | T1 016 | TITAN T1 LIGHT LOCKING TOOL |
| T1C 004 CL | TITAN T1 CONCRETE CLEAR RIM | T1 017 | TITAN T1 1.5" THREADED ADAPTER SLEEVE |
| T1C 004 GY | TITAN T1 CONCRETE GREY RIM | T1 18AWG 100 US | TITAN T1- 100FT 18AWG CABLE COILED WITH PLUG |
| T1C 004 WH | TITAN T1 CONCRETE WHITE RIM | T1 18AWG 150 US | TITAN T1- 150FT 18AWG CABLE COILED WITH PLUG |
| T1FV 004 CL | TITAN T1 FIBERGLASS/VINYL CLEAR RIM | | |

PRODUCT SPECIFICATIONS

| Parameter | Specification |
|----------------------------|--|
| VOLTAGE: | 10.5-13v AC |
| WATTAGE: | 8w |
| INGRESS PROTECTION: | IPX8 |
| CONTROLLERS | COMPATIBLE WITH MAJOR BRAND POOL CONTROLLERS |
| TRANSFORMERS | COMPATIBLE WITH LVX AND MOST MAJOR 12C AC TRANSFORMERS |

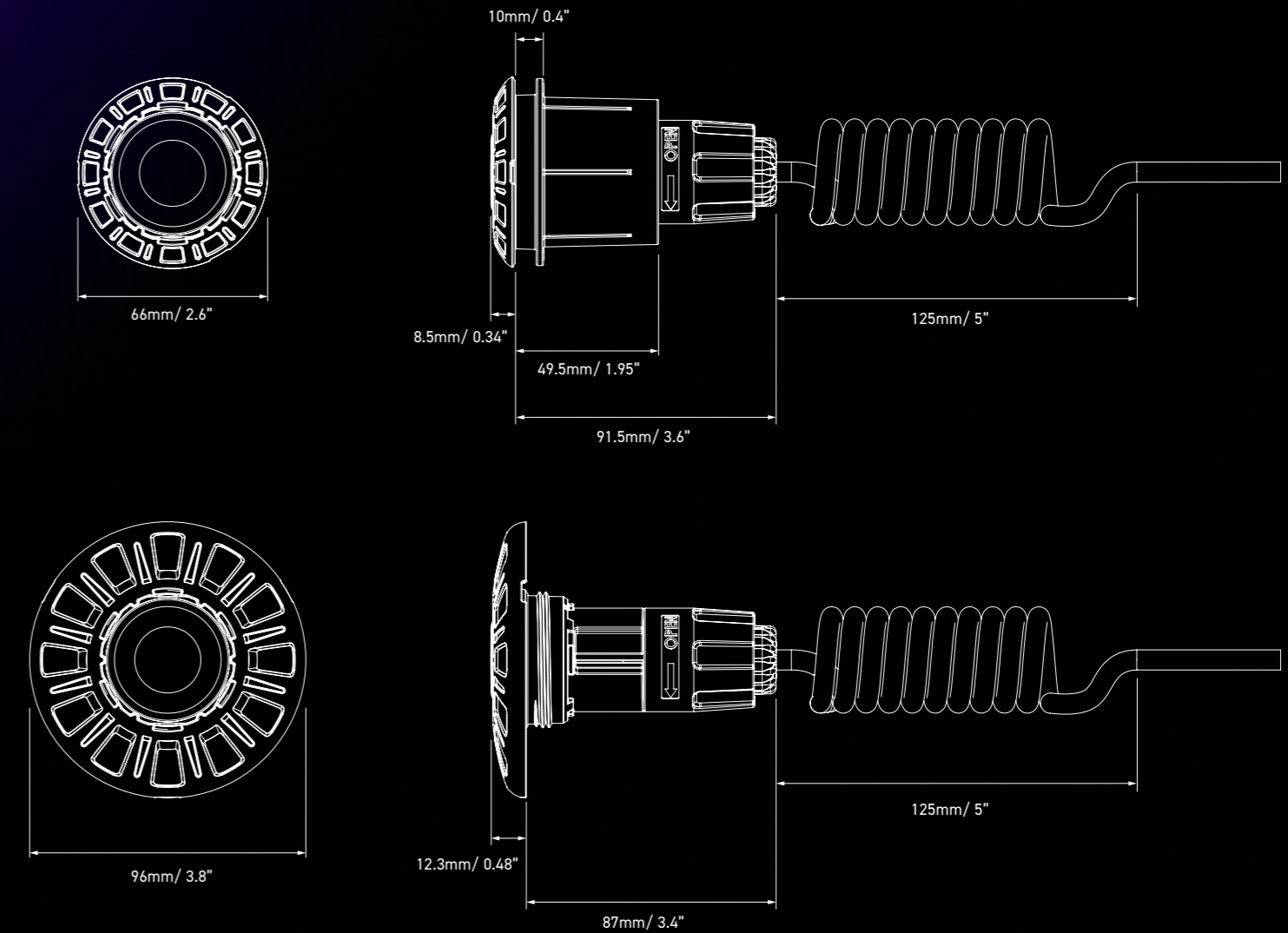
PRODUCT OPTIONS

| LED Color | LED Array | Wavelength | Lumens | Color Range |
|--------------------|--------------|------------|--------|-------------|
| MULTI-PLUS* | RGB+W | VARIABLES | 375lm | |

*Compatible with most major brand pool controllers.



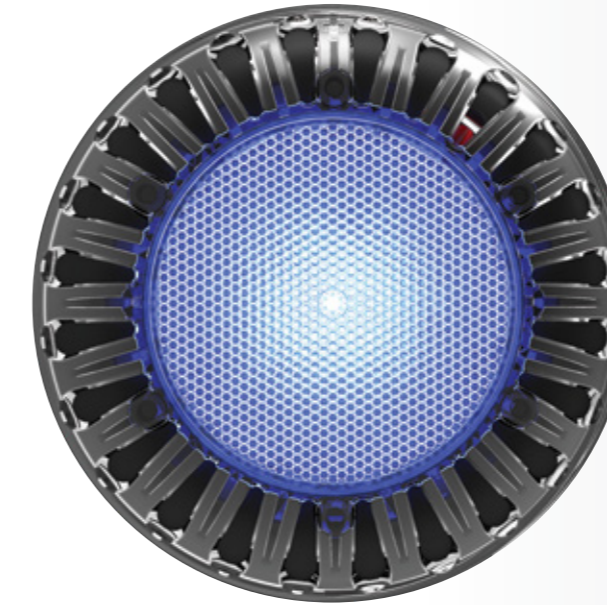
Overall DIMENSIONS



Dimensions subject to change without notice. Document released 08/05/2025



ATOM Series



- High intensity Ceramic Light Engine (LED) Technology
- Market leading brightness and efficiency
- Available in Blue, White or MULTI PLUS
- Direct-Connect Patented detachable electrical connection
- Suitable for concrete, vinyl & fiberglass pools
- IPX8 waterproof rating
- UL Certified
- Designed and manufactured in Australia
- 3 Year Warranty

The 3" Atom Series is the latest in Mini Niche style LED pool lights. With its small form factor & powerful performance, the ATOM Series can be used to illuminate even the largest pools of with ease. The Atom Series advanced features ensures for simple installation and hassle-free servicing every time, with its innovative self-levelling mounting ring and detachable power cord.

The Atom Series is designed and manufactured in Australia and backed by Spa Electrics' industry leading customer care network and 3-year warranty.



DETACHABLE POWER CORD



SELF LEVELING MOUNTING RING



TOP & REAR ENTRY 3" NICHES

ATOM Series

CONCRETE POOLS

| Part Number* | Description |
|----------------|---|
| A3C L12 L3 CMP | 1 x ATOM 3" SERIES MULTI PLUS LIGHT + CONCRETE MOUNTING KIT + 100FT CABLE |
| A3C L12 L3 CBL | 1 x ATOM 3" SERIES BLUE LIGHT + CONCRETE MOUNTING KIT + 100FT CABLE |
| A3C L12 L3 CW4 | 1 x ATOM 3" SERIES WHITE LIGHT + CONCRETE MOUNTING KIT + 100FT CABLE |
| A3C L12 L3 CRD | 1 x ATOM 3" SERIES RED LIGHT + CONCRETE MOUNTING KIT + 100FT CABLE |
| A3C L12 L4 CMP | 1 x ATOM 3" SERIES MULTI PLUS LIGHT + CONCRETE MOUNTING KIT + 150FT CABLE |
| A3C L12 L4 CBL | 1 x ATOM 3" SERIES BLUE LIGHT + CONCRETE MOUNTING KIT + 150FT CABLE |
| A3C L12 L4 CW4 | 1 x ATOM 3" SERIES WHITE LIGHT + CONCRETE MOUNTING KIT + 150FT CABLE |
| A3C L12 L3 CRD | 1 x ATOM 3" SERIES RED LIGHT + CONCRETE MOUNTING KIT + 100FT CABLE |
| A3C L12 L4 CRD | 1 x ATOM 3" SERIES RED LIGHT + CONCRETE MOUNTING KIT + 150FT CABLE |

FIBERGLASS POOLS

| Part Number* | Description |
|----------------|---|
| A3F L12 L3 CMP | 1 x ATOM 3" SERIES MULTI PLUS LIGHT + FIBERGLASS MOUNTING KIT + 100FT CABLE |
| A3F L12 L3 CBL | 1 x ATOM 3" SERIES BLUE LIGHT + FIBERGLASS MOUNTING KIT + 100FT CABLE |
| A3F L12 L3 CW4 | 1 x ATOM 3" SERIES WHITE LIGHT + FIBERGLASS MOUNTING KIT + 100FT CABLE |
| A3F L12 L4 CMP | 1 x ATOM 3" SERIES MULTI PLUS LIGHT + FIBERGLASS MOUNTING KIT + 150FT CABLE |
| A3F L12 L4 CBL | 1 x ATOM 3" SERIES BLUE LIGHT + FIBERGLASS MOUNTING KIT + 150FT CABLE |
| A3F L12 L4 CW4 | 1 x ATOM 3" SERIES WHITE LIGHT + FIBERGLASS MOUNTING KIT + 150FT CABLE |

VINYL POOLS

| Part Number* | Description |
|----------------|--|
| A3V L12 L3 CMP | 1 x ATOM 3" SERIES MULTI PLUS LIGHT + VINYL MOUNTING KIT + 100FT CABLE |
| A3V L12 L3 CBL | 1 x ATOM 3" SERIES BLUE LIGHT + VINYL MOUNTING KIT + 100FT CABLE |
| A3V L12 L3 CW4 | 1 x ATOM 3" SERIES WHITE LIGHT + VINYL MOUNTING KIT + 100FT CABLE |
| A3V L12 L4 CMP | 1 x ATOM 3" SERIES MULTI PLUS LIGHT + VINYL MOUNTING KIT + 150FT CABLE |
| A3V L12 L4 CBL | 1 x ATOM 3" SERIES BLUE LIGHT + VINYL MOUNTING KIT + 150FT CABLE |
| A3V L12 L4 CW4 | 1 x ATOM 3" SERIES WHITE LIGHT + VINYL MOUNTING KIT + 150FT CABLE |

*Compatible with most major brand pool controllers.

REPLACEMENT LIGHTS

| Part Number* | Description |
|---------------|-------------------------------------|
| A3 L12 L0 CMP | 1 x ATOM 3" SERIES MULTI PLUS LIGHT |
| A3 L12 L0 CBL | 1 x ATOM 3" SERIES BLUE LIGHT |
| A3 L12 L0 CW4 | 1 x ATOM 3" SERIES WHITE LIGHT |
| A3 L12 L0 CRD | 1 x ATOM 3" SERIES RED LIGHT |

SPARE PARTS

| Part Number* | Description | Part Number* | Description |
|------------------|---|------------------|--|
| RING A3 CL US | ATOM 3" SPACER RING | A3C 014 | ATOM 3" CONCRETE REPLACEMENT NUT, GLAND AND WASHER |
| EMC 003 US | ATOM 3" REPLACEMENT WATERPROOF PLUG COVER | EMC 008LR US | ATOM 3" CONCRETE REAR ENTRY NICHE WITH GLAND |
| EMC 008LT US | ATOM 3" CONCRETE TOP ENTRY NICHE WITH GLAND | EMC 009LL US | ATOM 3" CONCRETE LOCKING RING |
| EMC 009LM US | ATOM 3" CONCRETE MOUNTING RING | EMP 18AWG 100 | ATOM 3"- CONCRETE 100FT 18AWG CABLE WITH PLUG |
| EMFP 18AWG 100US | ATOM 3"- FIBERGLASS 100FT 18AWG CABLE WITH PLUG | EMP 18AWG 150 | ATOM 3"- CONCRETE 150FT 18AWG CABLE WITH PLUG |
| EMFP 18AWG 150US | ATOM 3"- FIBERGLASS 150FT 18AWG CABLE WITH PLUG | A3FV 014 | ATOM 3" FIBERGLASS/ VINYL REPLACEMENT COMPRESSION PLATE GLAND AND SCREWS |
| EMV 006 US | ATOM 3" VINYL CLAMP PLATE KIT | EMVP 18AWG 100US | ATOM 3" - VINYL 100FT 18AWG CABLE WITH PLUG |
| EMVP 18AWG 150US | ATOM 3" - VINYL 150FT 18AWG CABLE WITH PLUG | | |

PRODUCT SPECIFICATIONS

| Parameter | Specification |
|----------------------------|------------------------------|
| VOLTAGE: | 10.5-13v AC |
| WATTAGE: | 12w |
| INGRESS PROTECTION: | IPX8 |
| SUITABLE FOR: | CONCRETE, VINYL & FIBERGLASS |

PRODUCT OPTIONS

| LED Color | LED Array | Wavelength | Lumens | Color Range |
|--------------------|--------------|------------|--------|-------------|
| MULTI-PLUS* | RGB+W | VARIABLES | 850lm | |
| BLUE | BLUE | 460nm | 180nm | |
| WHITE | WHITE | 4000k | 850lm | |

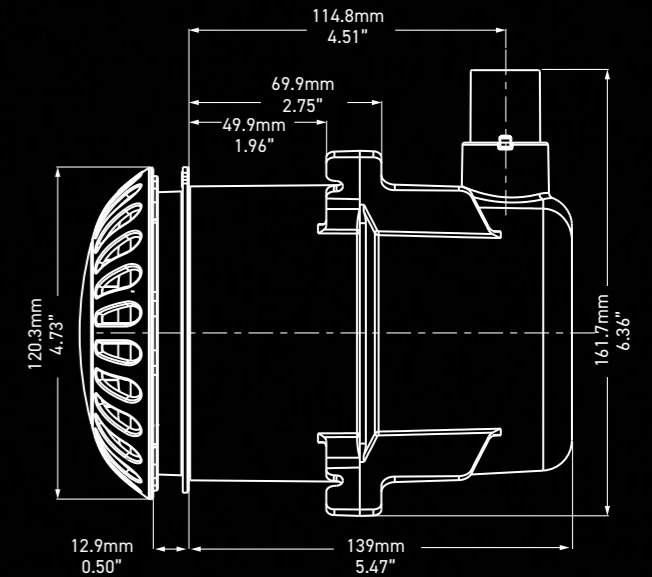
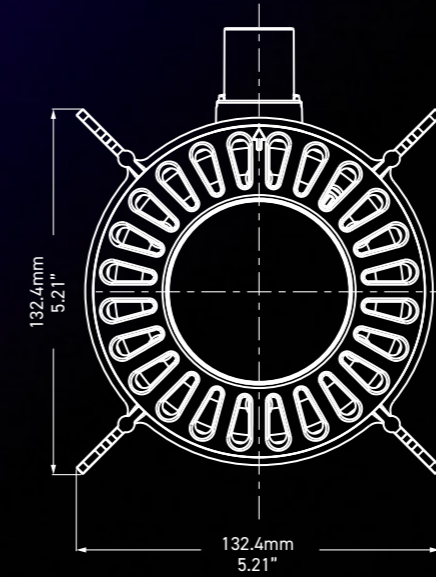


atom

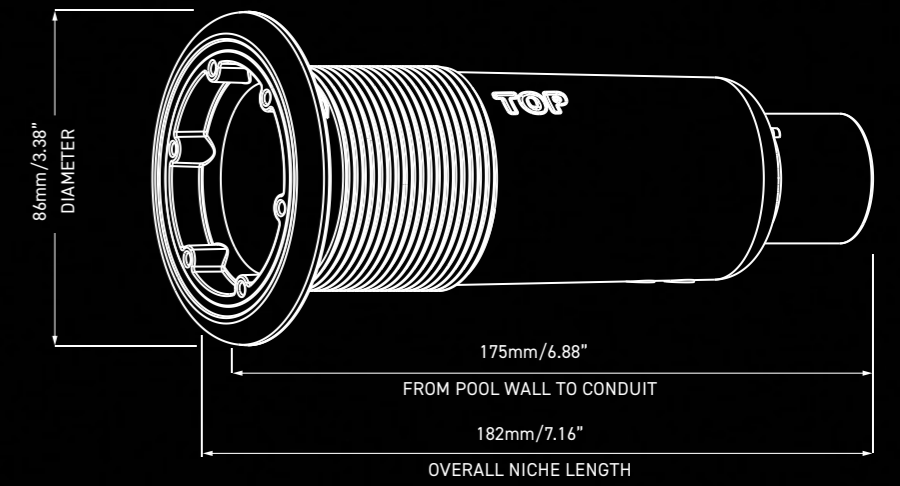
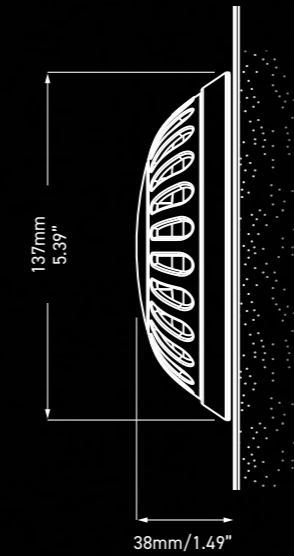
SERIES

Overall DIMENSIONS

CONCRETE



FIBERGLASS & VINYL

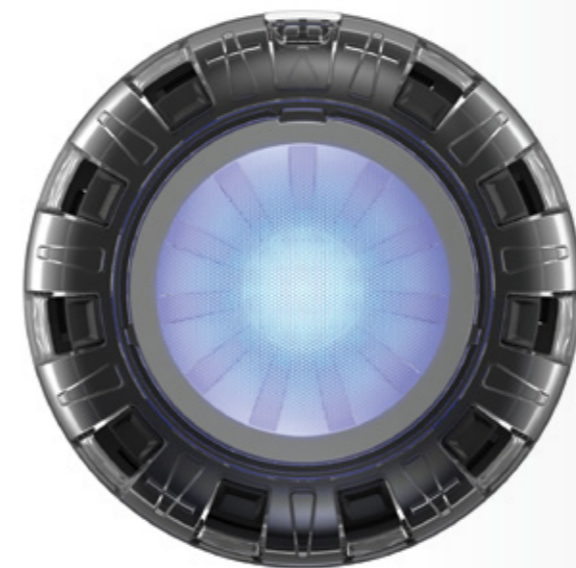


Dimensions subject to change without notice. Document released 08/05/2025

ARGON Nicheless



ARGON NICHELESS Series



- High intensity Ceramic Light Engine (LED) Technology
- Market leading brightness and efficiency
- Available in MULTI PLUS
- Direct-Connect Patented detachable electrical connection
- Suitable for New Pool Installation
- IPX8 waterproof rating
- UL Certified
- Designed and manufactured in Australia
- 3 Year Warranty

The Argon Nicheless has been designed as a New Build installation using any threaded 1.5" fitting.

Its premium German engineered LED's and advance optics are coupled with the industry's first forward-facing Heat Sink design; delivering a slim, modern profile while maximizing the cooling efficiency by forcing heat forward, into the pool.

The Argon Nicheless is designed and manufactured in Australia and backed by Spa Electrics' industry leading customer care network and 3-year warranty.



DETACHABLE POWER CORD



WINTERIZATION SYSTEM



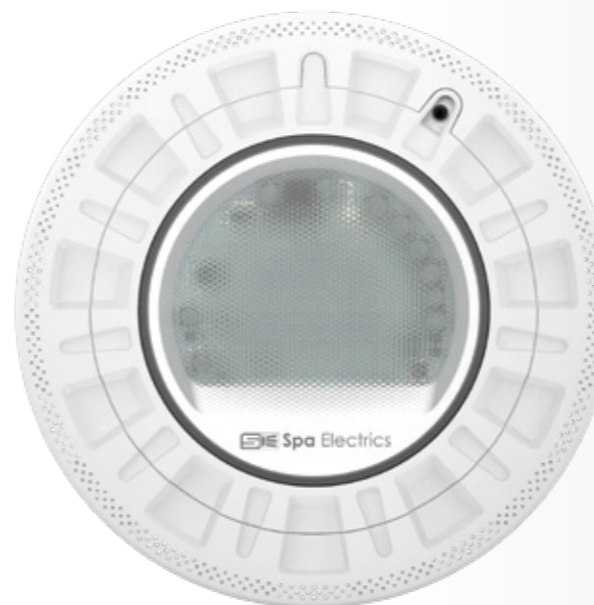
**TOOL-LESS INSTALLATION
WITH ADAPTER PLATE**

retro R10

REPLACEMENT LED POOL LIGHT



RETRO R10 Series



- High intensity Ceramic Light Engine (LED) Technology
- Market leading brightness and efficiency
- Available in Blue, White Or MULTI PLUS
- Patented Quick Connect Plug that utilizes the existing cable
- Suitable for Concrete, Vinyl pools (Vinyl Trim Kit required- R10V 0021)
- IPX8 waterproof rating
- UL Certified
- Designed and manufactured in Australia
- 3 Year Warranty

The Retro R10 is the only light for 10" Niches (ID - 9.05" - 9.6") you will ever need, there's no need for expensive repair work as Retro R10's Universal Adaptor doesn't rely on intact niche mounting hooks or screws for successful installation. The patented CAM-LOCKS grip the niche wall as they're fitted, pulling the Retro R10 Light and existing niche together for a secure, even fit.

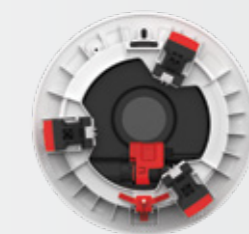
If the existing niche mounting hooks and screws are intact, Retro R10 supports standard installation via the HOOK TAB at the base and the front facing screw at top. The HOOK TAB at the base adjusts to suit all major brand niche tabs, without the need for extra washers or spacers. Say goodbye to changing cables with Retro R10's Quick Connect Plug. Connecting to the existing pool light cable in the niche, the UL Listed Quick Connect Plug ensures fast and reliable installation while also enabling easier future servicing in the field.

Retro R10 is the brightest LED retro-fit on the market with over 3000 lumen output. The unique water-cooled design harnesses the full cooling potential of your pool to maximize performance and extend product life. Retain the brilliance of a 300W halogen, while improving the look and safety of your pool with the Retro R10.

The Retro R10 Series is designed and manufactured in Australia and backed by Spa Electrics' industry leading customer care network and 3-year warranty.



DETACHABLE POWER CORD



CAM-LOCK TECHNOLOGY



**FITS ANY 10" NICHES
(ID - 9.05" - 9.6")**

RETRO R10 Series

10" UNIVERSAL RETRO LIGHTS

| Part Number* | Description |
|-----------------|--|
| R10C L12 R1 WMP | 1 x RETRO 10" (R10) MULTI PLUS LIGHT + WHITE 10" NICHE ADAPTER + PLUG SEAL ASSEMBLY KIT + WHITE RIM |
| R10C L12 R1 GMP | 1 x RETRO 10" (R10) MULTI PLUS LIGHT + WHITE 10" NICHE ADAPTER + PLUG SEAL ASSEMBLY KIT + GREY RIM |
| R10C L12 R1 WBL | 1 x RETRO 10" (R10) BLUE LIGHT + WHITE 10" NICHE ADAPTER + PLUG SEAL ASSEMBLY KIT + WHITE RIM |
| R10C L12 R1 GBL | 1 x RETRO 10" (R10) BLUE LIGHT + WHITE 10" NICHE ADAPTER + PLUG SEAL ASSEMBLY KIT + GREY RIM |
| R10C L12 R1 WW4 | 1 x RETRO 10" (R10) WHITE 4K LIGHT + WHITE 10" NICHE ADAPTER + PLUG SEAL ASSEMBLY KIT + WHITE RIM |
| R10C L12 R1 GW4 | 1 x RETRO 10" (R10) WHITE 4K LIGHT + WHITE 10" NICHE ADAPTER + PLUG SEAL ASSEMBLY KIT + GREY RIM |
| R10C L12 R1 WW3 | 1 x RETRO 10" (R10) WARM-WHITE 3K LIGHT + WHITE 10" NICHE ADAPTER + PLUG SEAL ASSEMBLY KIT + WHITE RIM |
| R10C L12 R1 GW3 | 1 x RETRO 10" (R10) WARM-WHITE 3K LIGHT + WHITE 10" NICHE ADAPTER + PLUG SEAL ASSEMBLY KIT + GREY RIM |

10" HAYWARD TWIST-LOCK RETRO LIGHTS

| Part Number* | Description |
|-----------------|--|
| R10H L12 R1 GBL | RETRO 10" (R10) BLUE LED + GREY 10" HAYWARD NICHE ADAPTER + PLUG SEAL ASSEMBLY KIT + GREY RIM |
| R10H L12 R1 GMP | RETRO 10" (R10) MULTI PLUS LED + GREY 10" HAYWARD NICHE ADAPTER + PLUG SEAL ASSEMBLY KIT + GREY RIM |
| R10H L12 R1 GW3 | RETRO 10" (R10) WARM-WHITE 3K LED + GREY 10" HAYWARD NICHE ADAPTER + PLUG SEAL ASSEMBLY KIT + GREY RIM |
| R10H L12 R1 GW4 | RETRO 10" (R10) WHITE 4K LED + GREY 10" HAYWARD NICHE ADAPTER + PLUG SEAL ASSEMBLY KIT + GREY RIM |
| R10H L12 R1 WBL | RETRO 10" (R10) BLUE LED + WHITE 10" HAYWARD NICHE ADAPTER + PLUG SEAL ASSEMBLY KIT + WHITE RIM |
| R10H L12 R1 WMP | RETRO 10" (R10) MULTI PLUS LED + WHITE 10" HAYWARD NICHE ADAPTER + PLUG SEAL ASSEMBLY KIT + WHITE RIM |
| R10H L12 R1 WW3 | RETRO 10" (R10) WARM-WHITE 3K LED + WHITE 10" HAYWARD NICHE ADAPTER + PLUG SEAL ASSEMBLY KIT + WHITE RIM |
| R10H L12 R1 WW4 | RETRO 10" (R10) WHITE 4K LED + WHITE 10" HAYWARD NICHE ADAPTER + PLUG SEAL ASSEMBLY KIT + WHITE RIM |

REPLACEMENT LIGHTS

| Part Number* | Description | Part Number* | Description |
|----------------|--------------------------------------|----------------|--------------------------------------|
| R10C L12 L0 MP | 1 x RETRO 10" (R10) MULTI PLUS LIGHT | R10C L12 L0 MP | 1 x RETRO 10" (R10) MULTI PLUS LIGHT |
| R10C L12 L0 BL | 1 x RETRO 10" (R10) BLUE LIGHT | R10C L12 L0 BL | 1 x RETRO 10" (R10) BLUE LIGHT |
| R10C L12 L0 W4 | 1 x RETRO 10" (R10) WHITE 4K LIGHT | R10C L12 L0 W4 | 1 x RETRO 10" (R10) WHITE 4K LIGHT |
| R10C L12 L0 W3 | 1 x RETRO 10" (R10) WHITE 3K LIGHT | R10C L12 L0 W3 | 1 x RETRO 10" (R10) WHITE 3K LIGHT |

*Compatible with most major brand pool controllers.



SPARE PARTS

| Part Number* | Description | Part Number* | Description |
|--------------|---|------------------|--|
| R10 001 | RETRO 10" (R10) CONCRETE PLUG COVER | R10 007 | RETRO 10" (R10) CONCRETE ADAPTOR HOOK + MOUNTING SCREW |
| R10 003 | RETRO 10" (R10) CONCRETE PLUG TOP KIT | R10V 0021 GY | RETRO 10" (R10) VINYL TRIM KIT 3 x DRESS RINGS GREY |
| R10 004 WH | RETRO 10" (R10) CONCRETE RIM WHITE | R10V 0021 WH | RETRO 10" (R10) VINYL TRIM KIT 3 x DRESS RINGS WHITE |
| R10 004 GY | RETRO 10" (R10) CONCRETE RIM GREY | R10 12AWG 100 US | RETRO 10" (R10) - 100F 12AWG CABLE WITH PLUG |
| R10C 006 | RETRO 10" (R10) CONCRETE ADAPTOR CAM LOCK KIT | R10 12AWG 150 US | RETRO 10" (R10) - 150F 12AWG CABLE WITH PLUG |
| R10C 008 WH | RETRO 10" (R10) CONCRETE ADAPTOR PLATE WHITE | R10H 008 GY | RETRO 10" HAYWARD ADAPTOR PLATE - GREY |
| R10C 008 GY | RETRO 10" (R10) CONCRETE ADAPTOR PLATE GREY | R10H 008 WH | RETRO 10" HAYWARD ADAPTOR PLATE - WHITE |

PRODUCT SPECIFICATIONS

| Parameter | Specification |
|----------------------------|---|
| VOLTAGE: | 10.5-13v AC |
| WATTAGE: | 45w |
| INGRESS PROTECTION: | IPX8 |
| SUITABLE FOR: | 10"CONCRETE & VINYL NICHES (ID - 9.05" - 9.6") (VINYL TRIM KIT REQUIRED- R10V 0021) |

PRODUCT OPTIONS

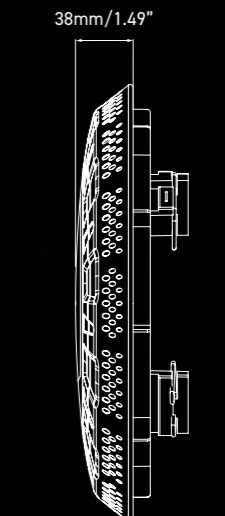
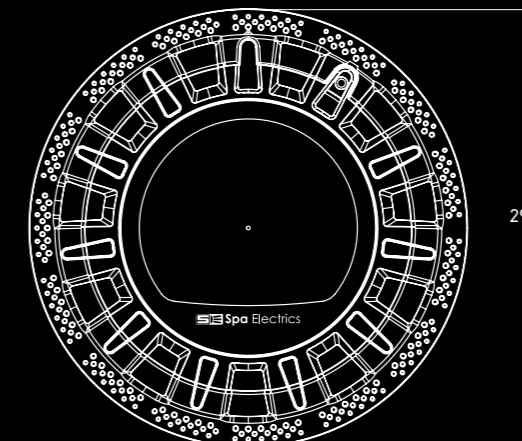
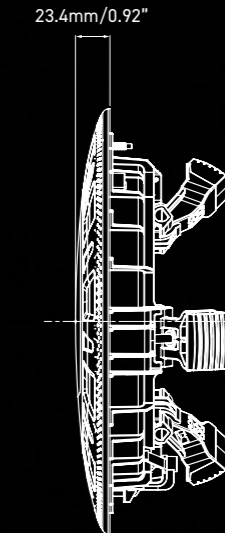
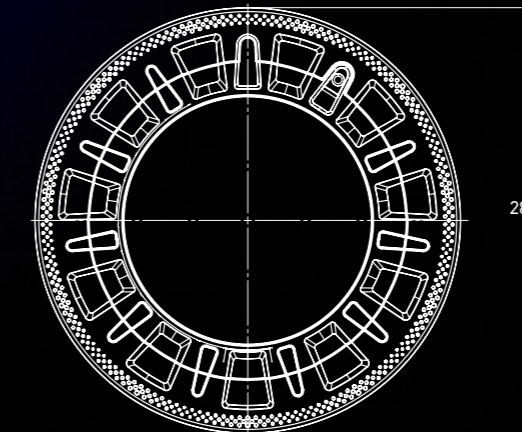
| LED Color | LED Array | Wavelength | Lumens | Color Temp |
|--------------------|--------------|------------|--------|------------|
| MULTI-PLUS* | RGB+W | VARIES | 3200lm | 4000k |
| BLUE | BLUE | 465nm | 1000lm | N/A |
| WHITE | WARM | N/A | 3200lm | 3000k |
| WHITE | DAYLIGHT | N/A | 3200lm | 4000k |



retro R10

REPLACEMENT LED POOL LIGHT

Overall DIMENSIONS



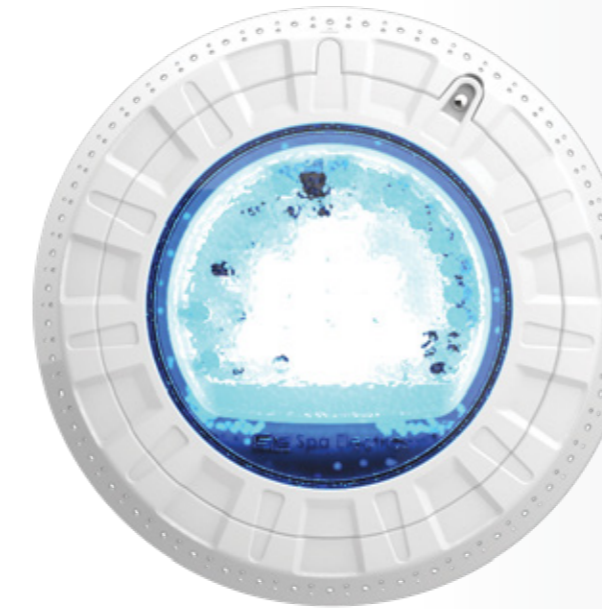
Dimensions subject to change without notice. Document released 08/05/2025

retro R8

REPLACEMENT LED POOL LIGHT



RETRO R8 Series



- High intensity Ceramic Light Engine (LED) Technology
- Market leading brightness and efficiency
- Available in Blue, White Or MULTI PLUS
- Patented Quick Connect Plug that utilizes the existing cable
- Suitable for Concrete pools
- IPX8 waterproof rating
- UL Certified
- Designed and manufactured in Australia
- 3 Year Warranty

The Retro R8 is the only light for 8" Niches (ID - 7.4" - 8.1") you will ever need, there's no need for expensive repair work as Retro R8's Universal Adaptor doesn't rely on intact niche mounting hooks or screws for successful installation. The patented CAM-LOCKS grip the niche wall as they're fitted, pulling the Retro R8 Light and existing niche together for a secure, even fit.

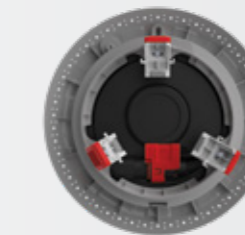
If the existing niche mounting hooks and screws are intact, Retro R8 supports standard installation via the HOOK TAB at the base and the front facing screw at top. The HOOK TAB at the base adjusts to suit all major brand niche tabs, without the need for extra washers or spacers. Say goodbye to changing cables with Retro R8's Quick Connect Plug. Connecting to the existing pool light cable in the niche, the UL Listed Quick Connect Plug ensures fast and reliable installation while also enabling easier future servicing in the field.

Retro R8 is the brightest LED retro-fit on the market with over 3000 lumen output. The unique water-cooled design harnesses the full cooling potential of your pool to maximize performance and extend product life. Retain the brilliance of a 300W halogen, while improving the look and safety of your pool with the Retro R8.

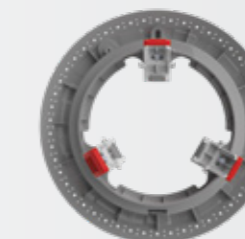
The Retro R8 Series is designed and manufactured in Australia and backed by Spa Electrics' industry leading customer care network and 3-year warranty.



DETACHABLE POWER CORD



CAM-LOCK TECHNOLOGY



**SUITABLE FOR 8" NICHES
(7.5" - 8.25" & 8.6" - 9.64" (Q500
CAM-LOCKS REQUIRED - R6C 006 Q5))**

RETRO R8 Series

8" RETRO LIGHTS

| Part Number* | Description |
|----------------|---|
| R8C L12 R1 GBL | RETRO 8" (R8) BLUE LED + GREY 8" NICHE ADAPTER + PLUG SEAL ASSEMBLY KIT + GREY RIM |
| R8C L12 R1 GMP | RETRO 8" (R8) MULTI PLUS LED + GREY 8" NICHE ADAPTER + PLUG SEAL ASSEMBLY KIT + GREY RIM |
| R8C L12 R1 GW3 | RETRO 8" (R8) WARM-WHITE 3K LED + GREY 8" NICHE ADAPTER + PLUG SEAL ASSEMBLY KIT + GREY RIM |
| R8C L12 R1 GW4 | RETRO 8" (R8) WHITE 4K LED + GREY 8" NICHE ADAPTER + PLUG SEAL ASSEMBLY KIT + GREY RIM |
| R8C L12 R1 WBL | RETRO 8" (R8) BLUE LED + WHITE 8" NICHE ADAPTER + PLUG SEAL ASSEMBLY KIT + WHITE RIM |
| R8C L12 R1 WMP | RETRO 8" (R8) MULTI PLUS LED + WHITE 8" NICHE ADAPTER + PLUG SEAL ASSEMBLY KIT + WHITE RIM |
| R8C L12 R1 WW3 | RETRO 8" (R8) WARM-WHITE 3K LED + WHITE 8" NICHE ADAPTER + PLUG SEAL ASSEMBLY KIT + WHITE RIM |
| R8C L12 R1 WW4 | RETRO 8" (R8) WHITE 4K LED + WHITE 8" NICHE ADAPTER + PLUG SEAL ASSEMBLY KIT + WHITE RIM |

REPLACEMENT LIGHTS

| Part Number* | Description | Part Number* | Description |
|----------------|--------------------------------------|----------------|--------------------------------------|
| R10C L12 L0 MP | 1 x RETRO 10" (R10) MULTI PLUS LIGHT | R10C L12 L0 MP | 1 x RETRO 10" (R10) MULTI PLUS LIGHT |
| R10C L12 L0 BL | 1 x RETRO 10" (R10) BLUE LIGHT | R10C L12 L0 BL | 1 x RETRO 10" (R10) BLUE LIGHT |
| R10C L12 L0 W4 | 1 x RETRO 10" (R10) WHITE 4K LIGHT | R10C L12 L0 W4 | 1 x RETRO 10" (R10) WHITE 4K LIGHT |
| R10C L12 L0 W3 | 1 x RETRO 10" (R10) WHITE 3K LIGHT | R10C L12 L0 W3 | 1 x RETRO 10" (R10) WHITE 3K LIGHT |

SPARE PARTS

| Part Number* | Description | Part Number* | Description |
|--------------|---|------------------|--|
| R8C 006 | RETRO 8" (R8) STANDARD CAM LOCK KIT | R10 003 | RETRO 10" (R10) CONCRETE PLUG TOP KIT |
| R8C 008 GY | RETRO 8" (R8) NICHE ADAPTOR PLATE - GREY | R10 007 | RETRO 10" (R10) CONCRETE ADAPTOR HOOK + MOUNTING SCREW |
| R8C 008 WH | RETRO 8" (R8) NICHE ADAPTOR PLATE - WHITE | R10 12AWG 100 US | RETRO 10" (R10) - 100F 12AWG CABLE WITH PLUG |
| R10 001 | RETRO 10" (R10) CONCRETE PLUG COVER | R10 12AWG 150 US | RETRO 10" (R10) - 150F 12AWG CABLE WITH PLUG |

PRODUCT SPECIFICATIONS

| Parameter | Specification |
|----------------------------|--|
| VOLTAGE: | 10.5-13v AC |
| WATTAGE: | 45w |
| INGRESS PROTECTION: | IPX8 |
| SUITABLE FOR: | 8" CONCRETE NICHES (ID - 7.4" - 8.1") |

PRODUCT OPTIONS

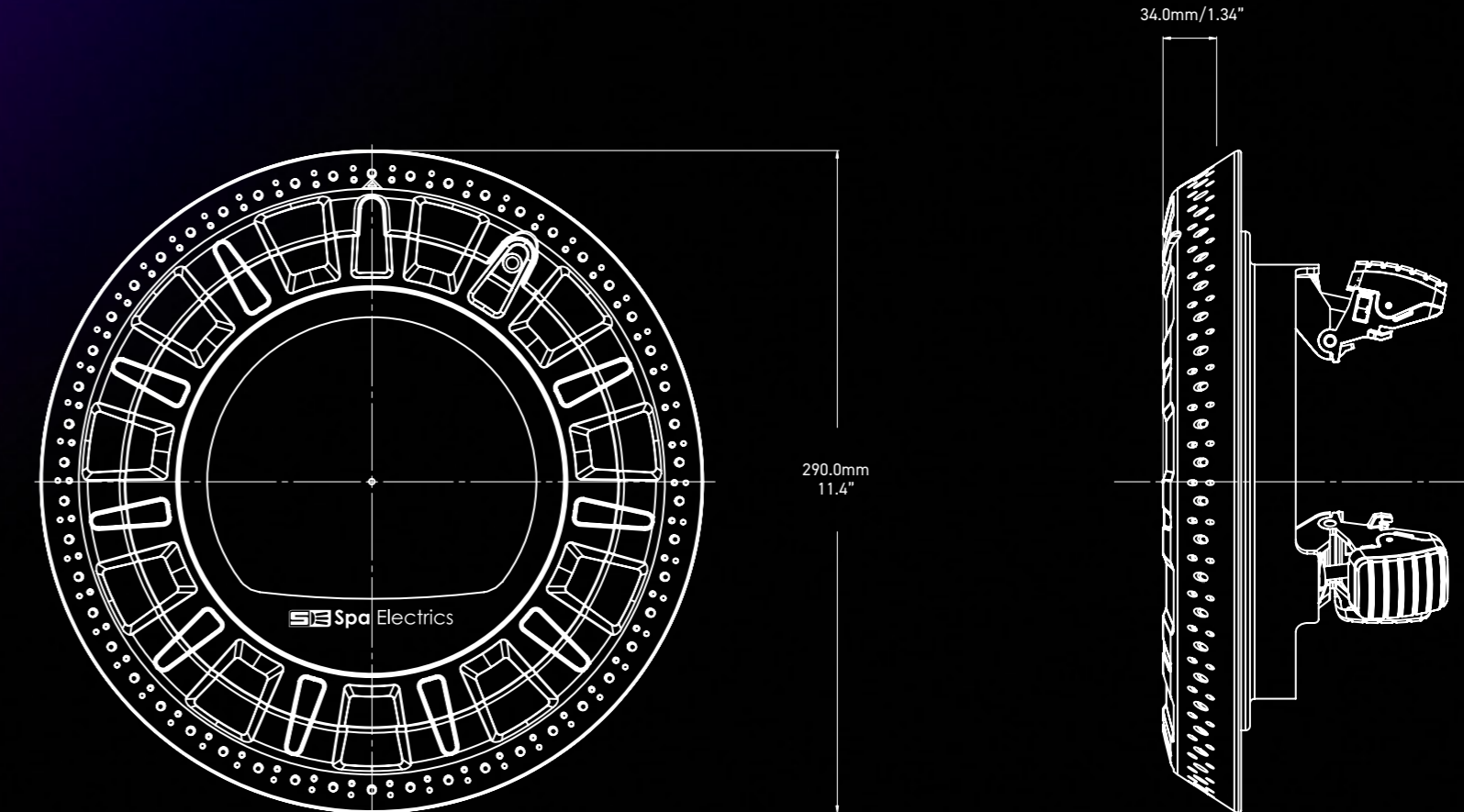
| LED Color | LED Array | Wavelength | Lumens | Color Temp |
|--------------------|--------------|------------|--------|------------|
| MULTI-PLUS* | RGB+W | VARIES | 3200lm | 4000k |
| BLUE | BLUE | 465nm | 1000lm | N/A |
| WHITE | WARM | N/A | 3200lm | 3000k |
| WHITE | DAYLIGHT | N/A | 3200lm | 4000k |

Compatible with Extra Safe Low Voltage **LVX Series Transformers**

retro R8

REPLACEMENT LED POOL LIGHT

Overall DIMENSIONS

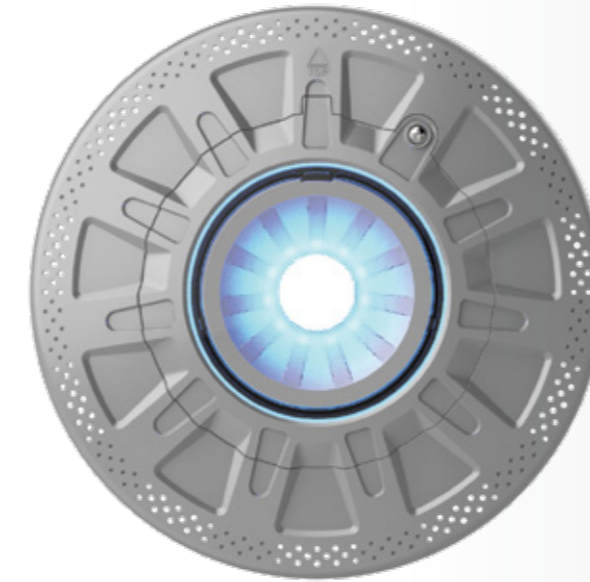


Dimensions subject to change without notice. Document released 08/05/2025

retro R6

REPLACEMENT LED POOL LIGHT

RETRO R6 Series



- High intensity Ceramic Light Engine (LED) Technology
- Market leading brightness and efficiency
- Available in MULTI PLUS
- Patented Quick Connect Plug that utilizes the existing cable
- Suitable for Concrete pools
- IPX8 waterproof rating
- UL Certified
- Designed and manufactured in Australia
- 3 Year Warranty

The Retro R6 Series unique Universal Adaptor locks into existing niches for a secure fit when standard installation isn't possible. The Interchangeable Cam-Locks allow the Retro R6 to suit any 6" Niches (ID 4.75 - 5.2 & 5.8 -6.6 (Q500 cam-locks required- R6C 006 Q5)). UL listed Quick Connect Plug - offers safe low voltage connection and easier future servicing with no cables to pull through.

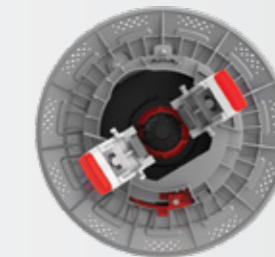
The Retro R6 Series is designed and manufactured in Australia and backed by Spa Electrics' industry leading customer care network and 3-year warranty.



DETACHABLE POWER CORD



INTERCHANGABLE CAM-LOCKS



**SUITABLE FOR 6" NICHES
(ID 4.75 - 5.2 & 5.8 -6.6 (Q500
CAM-LOCKS REQUIRED- R6C 006 Q5))**

RETRO R6 Series

retro R6

REPLACEMENT LED POOL LIGHT

Overall DIMENSIONS

6" RETRO LIGHTS

| Part Number* | Description |
|----------------|--|
| R6C L12 R1 GMP | 1 x RETRO 6" (R6) MULTI PLUS LIGHT + GREY 6" NICHE ADAPTER + PLUG SEAL ASSEMBLY KIT + GREY RIM |
| R6C L12 R1 WMP | 1 x RETRO 6" MULTI PLUS LED + WHITE 6" NICHE ADAPTER + PLUG SEAL ASSEMBLY KIT + WHITE RIM |
| R6B L12 R1 GMP | 1 x RETRO 6" (R6) BLUE SQUARE MULTI PLUS LIGHT + GREY 6" NICHE ADAPTER + PLUG SEAL ASSEMBLY KIT + GREY RIM |
| R6B L12 R1 WMP | 1 x RETRO 6" (R6) BLUE SQUARE MULTI PLUS LIGHT + WHITE 6" NICHE ADAPTER + PLUG SEAL ASSEMBLY KIT + WHITE RIM |
| R6N L12 R1 GMP | RETRO 6" MULTI PLUS LIGHT + GREY 6" NARROW RIM NICHE ADAPTER + PLUG SEAL ASSEMBLY KIT + GREY RIM |
| R6N L12 R1 WMP | RETRO 6" MULTI PLUS LED + WHITE 6" NARROW RIM NICHE ADAPTER + PLUG SEAL ASSEMBLY KIT + WHITE RIM |

REPLACEMENT LIGHTS

| Part Number* | Description |
|---------------|---|
| N3 L12 L0 CMP | 1 x ARGON 3" MULTI PLUS LIGHT + CLEAR RIM |

SPARE PARTS

| Part Number* | Description | Part Number* | Description |
|--------------|--|--------------|--|
| R6C 006 Q5 | RETRO 6" (R6) CONCRETE Q500 CAM LOCK KIT | N3 18AWG 100 | ARGON 3"- 100FT 18AWG CABLE WITH PLUG |
| R6C 004 WH | RETRO 6" (R6) CONCRETE RIM WHITE | N3 18AWG 150 | ARGON 3"- 150FT 18AWG CABLE WITH PLUG |
| R6C 004 GY | RETRO 6" (R6) CONCRETE RIM GREY | R6B 004 GY | RETRO 6" (R6) BLUE SQUARE RIM GREY |
| R6C 001 | RETRO 6" (R6) CONCRETE WINTERISATION KIT | R6B 004 WH | RETRO 6" (R6) BLUE SQUARE RIM WHITE |
| R6C 008 GY | RETRO 6" (R6) CONCRETE ADAPTOR PLATE GREY | R6V 0021 WH | RETRO 6" (R6) VINYL TRIM KIT - 3 X DRESS RINGS - WHITE |
| R6C 008 WH | RETRO 6" (R6) CONCRETE ADAPTOR PLATE WHITE | R6V 0021 GY | RETRO 6" (R6) VINYL TRIM KIT - 3 X DRESS RINGS - GREY |
| R6C 006 | RETRO 6" (R6) CONCRETE STANDARD CAM LOCK KIT | R6N 008 GY | RETRO 6" (R6) NARROW RIM ADAPTOR PLATE GREY |
| R6C 008 WH | RETRO 6" (R6) CONCRETE ADAPTOR PLATE WHITE | R6N 008 WH | RETRO 6" (R6) NARROW RIM ADAPTOR PLATE WHITE |

PRODUCT SPECIFICATIONS

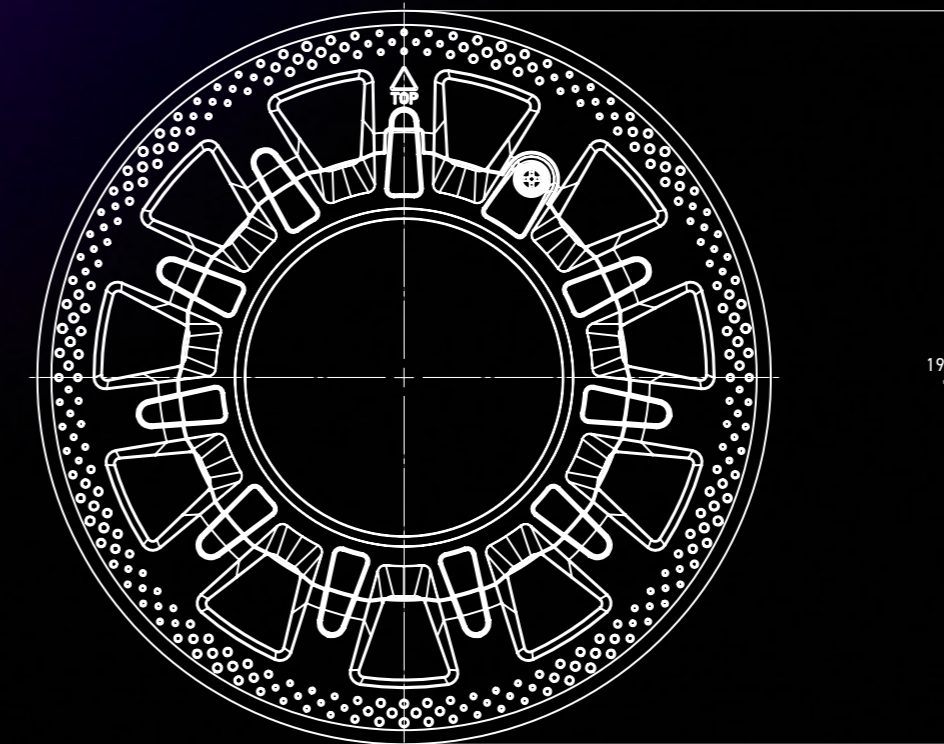
| Parameter | Specification |
|----------------------------|---|
| VOLTAGE: | 10.5-13v AC |
| WATTAGE: | 15w |
| INGRESS PROTECTION: | IPX8 |
| SUITABLE FOR: | 6" Niches (ID 4.75 - 5.2 & 5.8 - 6.6 (Q500 cam-locks required- R6C 006 Q5)) |

PRODUCT OPTIONS

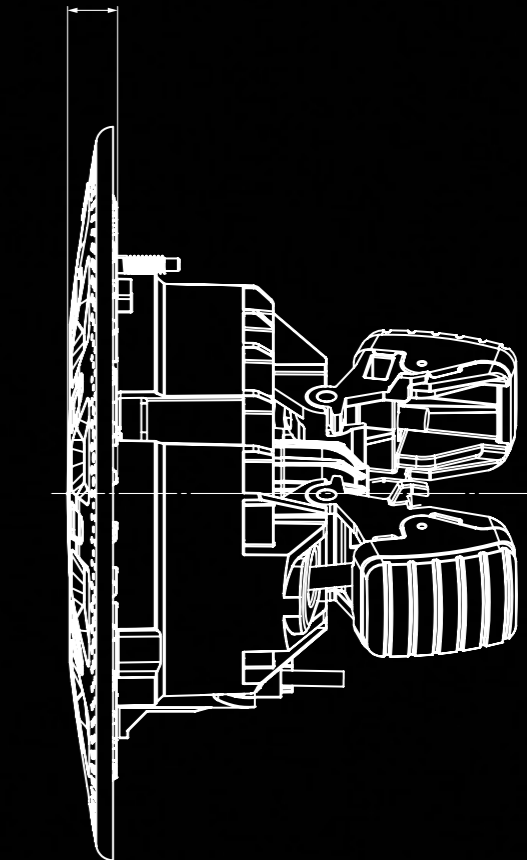
| LED Color | LED Array | Wavelength | Lumens | Color Temp |
|--------------------|--------------|------------|--------|------------|
| MULTI-PLUS* | RGB+W | VARIABLE | 1000lm | 4000k |

Compatible with Extra Safe Low Voltage **LVX Series Transformers**

*Compatible with most major brand pool controllers.



13.2mm/0.52"



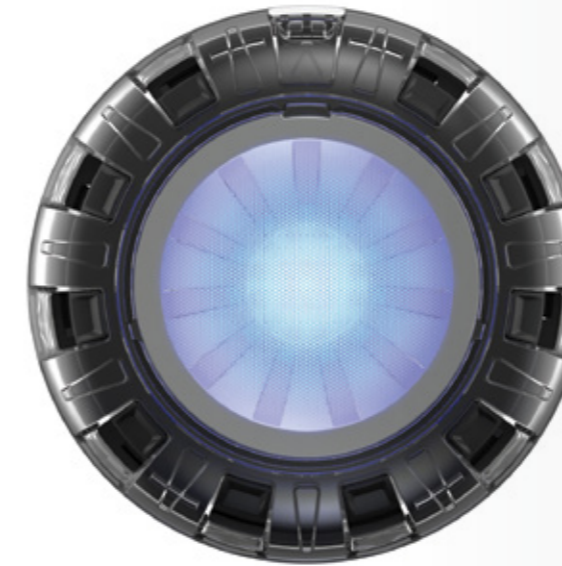
Dimensions subject to change without notice. Document released 08/05/2025

retro N1

REPLACEMENT LED POOL LIGHT



RETRO N1 Series



- High intensity Ceramic Light Engine (LED) Technology
- Market leading brightness and efficiency
- Available in MULTI PLUS
- Patented Quick Connect Plug that utilizes the existing cable
- Suitable for Retro-fit Installation
- IPX8 waterproof rating
- UL Certified
- Designed and manufactured in Australia
- 3 Year Warranty

The Retro N1 Series has been designed as a Retro-fit installation using any threaded 1.5" fitting.

Its premium German engineered LED's and advance optics are coupled with the industry's first forward-facing Heat Sink design; delivering a slim, modern profile while maximizing the cooling efficiency by forcing heat forward, into the pool.

Retro-fit with ease using the Retro N1 Quick-Connect plug attachment system and tool-less installation with adapter plate.

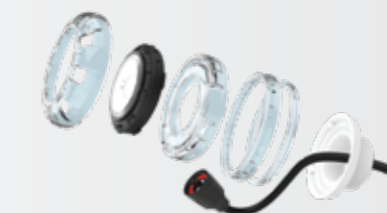
The Retro N1 Series is designed and manufactured in Australia and backed by Spa Electrics' industry leading customer care network and 3-year warranty.



DETACHABLE POWER CORD



WINTERIZATION SYSTEM



TOOL-LESS INSTALLATION WITH ADAPTER PLATE

retro T1

REPLACEMENT LED POOL LIGHT



RETRO T1 Series



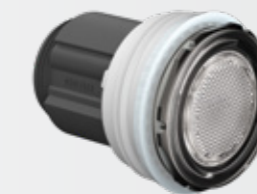
- High Intensity Ceramic Light Engine (LED) Technology
- Water-Cooled Titanium Heat Sink
- Available in Multi Plus
- Innovative Curly Cable with Quick-Connect Plug and Joiner
- Suitable for Concrete, Vinyl, & Fiberglass Pools
- IPX8 Waterproof Rating
- UL Certified
- Designed and Manufactured in Australia
- 3-Year Warranty

The Retro T1 from Spa Electrics, represents the culmination of over 40 years experience in underwater lighting design. Its robust design is sleek and unobtrusive, with its transparent facade allowing it to seamlessly blend into any pool design.

Using the included Locking Tool, the Retro T1 simply screws into any 1.5" threaded fitting. The Cable Joiner makes retro fitting a breeze without having to pull the existing cord. And the innovative Curly-Cable design paired with the Quick-Connect plug assembly, allows the light to be pulled above the water line for any future servicing and replacement.

The Retro T1 features a high quality titanium heat sink for maximum longevity, and 375 lumens of German engineered LED's and optics for superior light distribution and performance.

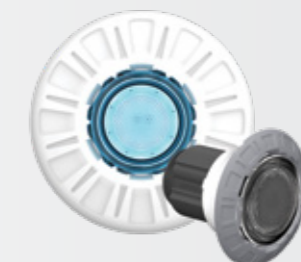
The Retro T1 is designed and manufactured in Australia and backed by Spa Electrics' industry leading customer care network and 3-year warranty.



TITANIUM HEAT-SINK



CURLY CABLE, QUICK-CONNECT PLUG



FITS ANY 1.5" THREADED FITTING



LiTYARD 2[®]

Outdoor Lighting Controller



LiTYARD 2 Series



- Built in Remote and 100W Transformer
- Suitable for all pool types
- IP55+ waterproof rating
- UL Listed
- Designed and manufactured in Australia
- 3 Year Warranty

LiTYARD 2 allows for complete control of MULTI PLUS LED lights from the touch of a button, using the remote's sleek iRIS handset. The LiTYARD 2 Lighting Controller provides power to your External RF Bridge ensuring maximum range and reliable connectivity. Control your lights independently or altogether with the controllers 2 zone pool/spa channel function. With up to 54yd (164ft/50m) line of sight range, controlling your lights has never been easier.

The LiTYARD 2 Series is designed and manufactured in Australia and backed by Spa Electrics' industry leading customer care network and 3-year warranty.



TRANSFORMER AND CONTROLLER



HANDHELD REMOTE



RF BRIDGE

LiYARD 2 Series

LOW VOLTAGE TRANSFORMER

| Part Number* | Description |
|--------------|---|
| LIT Y2X RFH | LIT YARD 2 CHANNEL 12V 100W CONTROLLER / INCLUDES RF RECEIVER & HANDSET / 120V 60Hz / HARDWIRED |
| LIT Y2X | LIT YARD 2 CHANNEL 12V 100W CONTROLLER ONLY / 120v 60Hz /HARDWIRED |
| LIT Y2 RF | LIT YARD 2 RF RECEIVER UNIT ONLY |
| LIT Y2 H | LIT YARD 2 HANDSET ONLY |

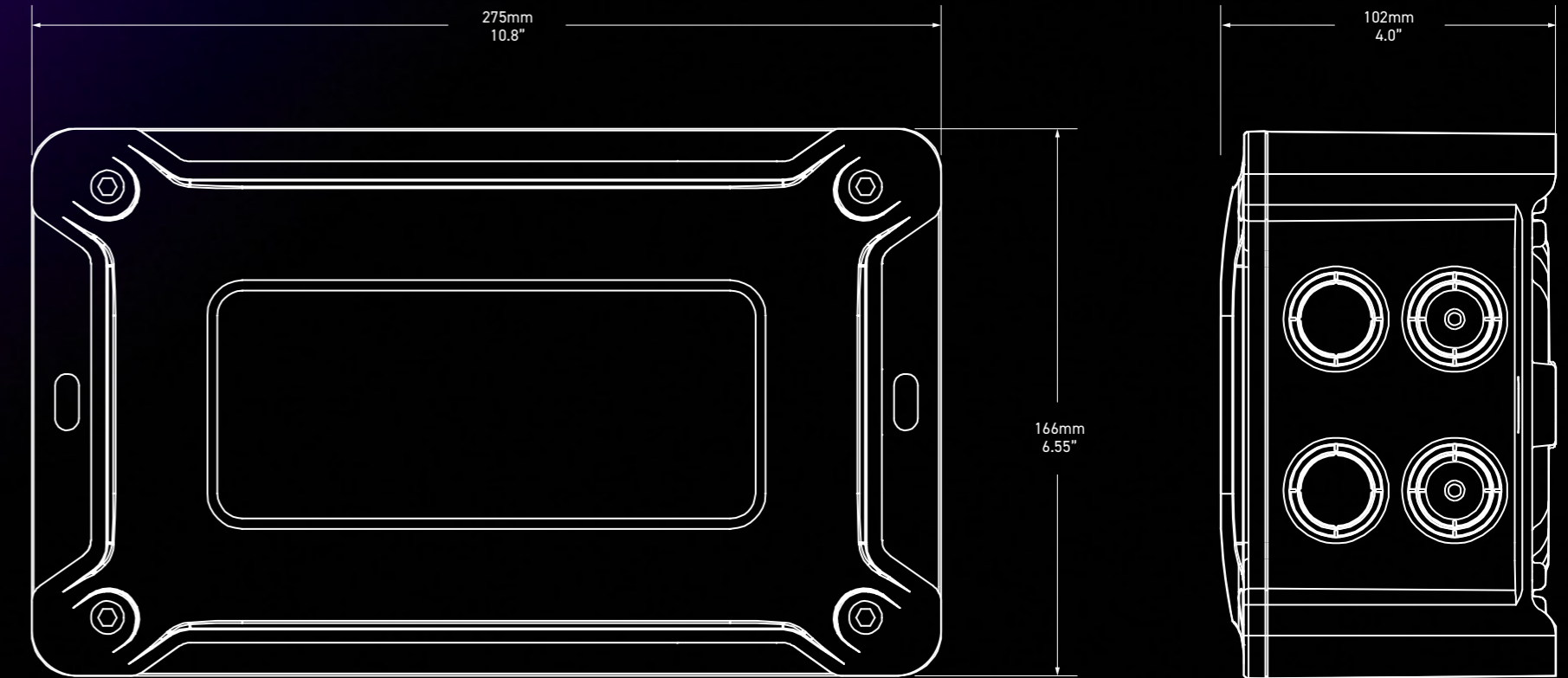
PRODUCT SPECIFICATIONS

| Parameter | Specification |
|----------------------------|---------------------------------|
| INPUT: | 120V 60Hz |
| OUTPUT: | 12V / 13V AC |
| WATTAGE: | 100 W |
| INPUT CONNECTIONS: | 2 x DUAL ½" / ¾" + 2 x ¾" PORTS |
| OUTPUT CONNECTIONS: | 2 x DUAL ½" / ¾" + 2 x ¾" PORTS |
| INGRESS PROTECTION: | IP55+ |
| CERTIFICATION: | cUL / cULus |
| WARRANTY: | 3 YEAR |
| SUITABLE FOR: | SWIMMING POOL & SPA LIGHTING |

*Compatible with most major brand pool controllers.



Overall DIMENSIONS



Dimensions subject to change without notice. Document released 08/05/2025

LVX Series



- Available in 50W & 100W options
- Suitable for all pool types
- IP55+ waterproof rating
- UL Listed
- Designed and manufactured in Australia
- 3 Year Warranty

The LVX Series safety isolating transformer has been purpose built for the swimming pool industry. Featuring a host of innovative features, the LVX Series will simplify your installation while providing your clients with quality, long lasting power supply for their underwater lighting systems.

The LVX Series innovative case design allows the unit to be installed in multiple orientations, allowing you to position the transformer to best suit the installation; minimizing the use of unsightly conduit and ensuring a clean and professional installation every time.

Combine this with large termination compartments, Dual ½" & ¾" conduit knock-out positions and a robust and stylish case design that completes any pool installation.

The LVX Series is designed and manufactured in Australia and backed by Spa Electrics' industry leading customer care network and 3-year warranty.



PREMIUM CONSTRUCTION



QUICK CONNECT TERMINALS



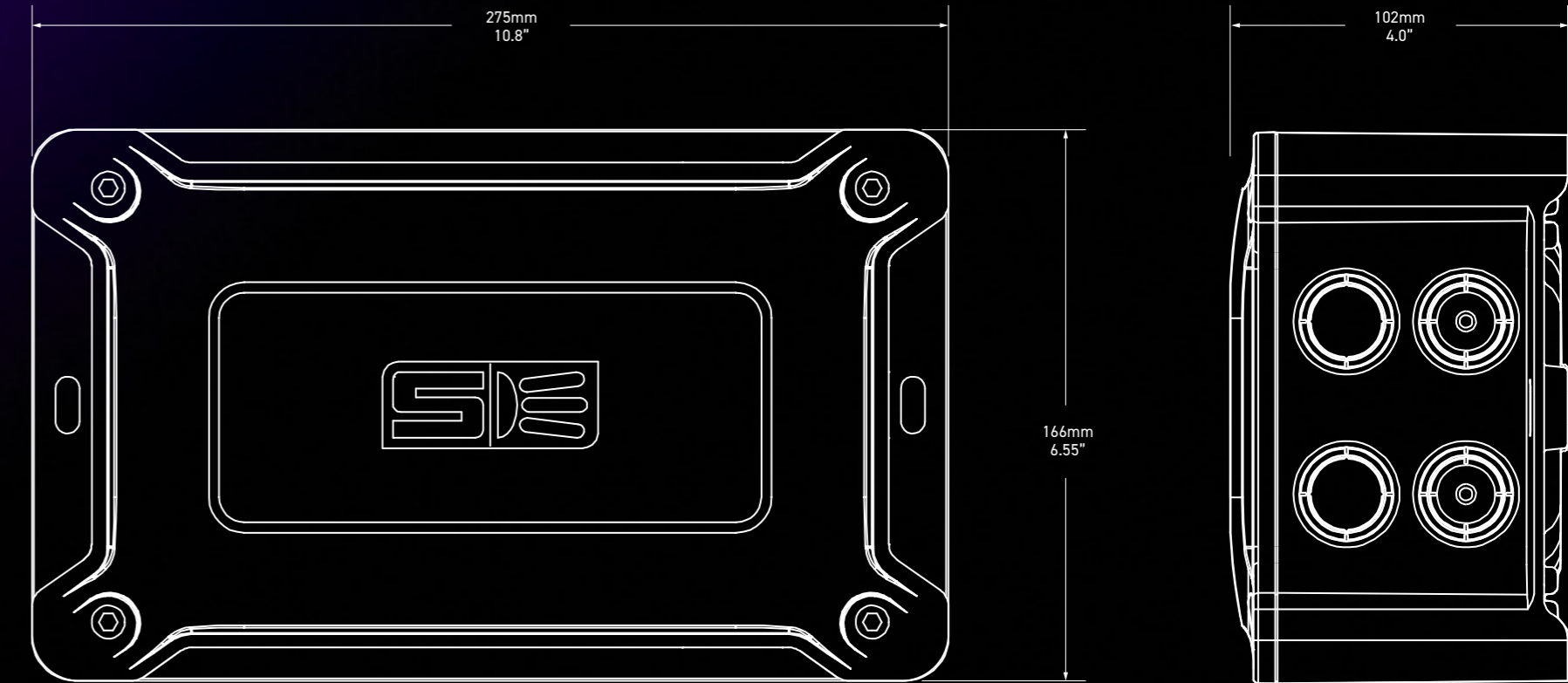
LARGE TERMINATION COMPARTMENTS

LOW VOLTAGE TRANSFORMER

| Part Number* | Description |
|--------------|--|
| LVX50 | 50VA TRANSFORMER WITH TERMINATION ENCLOSURE |
| LVX100 | 100VA TRANSFORMER WITH TERMINATION ENCLOSURE |

PRODUCT SPECIFICATIONS

| Parameter | Specification |
|----------------------------|---------------------------------|
| INPUT: | 120V 60Hz |
| OUTPUT: | 12V / 13V AC |
| WATTAGE: | 50W / 100 W |
| INPUT CONNECTIONS: | 2 x DUAL ½" / ¾" + 2 x ¾" PORTS |
| OUTPUT CONNECTIONS: | 2 x DUAL ½" / ¾" + 2 x ¾" PORTS |
| INGRESS PROTECTION: | IP55+ |
| CERTIFICATION: | cUL / cULus |
| WARRANTY: | 3 YEARS |
| SUITABLE FOR: | SWIMMING POOL & SPA LIGHTING |



*Compatible with most major brand pool controllers.

Dimensions subject to change without notice. Document released 08/05/2025



iBOOST PRO Series



- Available in black, white and grey
- Designed to fit standard return fittings
- IPX8 waterproof rating
- UL Certified
- Designed and manufactured in Australia
- 1 Year Warranty

Designed to fit standard return fittings, the iBOOST PRO offers improved water circulation, quieter pump operation and significant energy savings, via the patented dynamic eyeball design. Its variable outlet adjusts depending on pump speed, for maximum circulation across the entire RPM range.

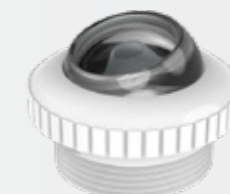
The iBoostPro eyeball is designed and manufactured in Australia and backed by Spa Electrics' industry leading customer care network and 1-year warranty.



VARIABLE OUTLET



IMPROVES WATER CIRCULATION



FITS STANDARD RETURN FITTINGS

iBOOST PRO Series

VARIABLE RETURN OUTLET

| Part Number* | Description |
|------------------|---|
| EB SPT VF US BK | THREADED VARIABLE OUTLET + 1" iBoostPro RETURN - BLACK - SINGLE |
| EB SPT VF US GY | THREADED VARIABLE OUTLET + 1" iBoostPro RETURN GREY - SINGLE |
| EB SPT VF US WH | THREADED VARIABLE OUTLET + 1" iBoostPro RETURN - WHITE - SINGLE |
| EB SPT VF US4 BK | THREADED VARIABLE OUTLET + 1" iBoostPro RETURN - BLACK - 4 PCS |
| EB SPT VF US4 GY | THREADED VARIABLE OUTLET + 1" iBoostPro RETURN - GREY - 4 PCS |
| EB SPT VF US4 WH | THREADED VARIABLE OUTLET + 1" iBoostPro RETURN - WHITE - 4 PCS |

VARIABLE EYEBALL FOR STANDARD RETURN OUTLETS

| Part Number* | Description |
|----------------|---|
| EB RP VF US | 1" iBoostPro EYEBALL INSERT- VARIABLE RETINA REPLACEMENT- SINGLE |
| EB RP VF US4 | 1" iBoostPro EYEBALL INSERT- VARIABLE RETINA REPLACEMENT- 4 PCS |
| EB RP VF US50 | 1" iBoostPro EYEBALL INSERT- VARIABLE RETINA REPLACEMENT- 50 PCS |
| EB RP VF US100 | 1" iBoostPro EYEBALL INSERT- VARIABLE RETINA REPLACEMENT- 100 PCS |

PRODUCT SPECIFICATIONS

| Parameter | Specification |
|---------------|---|
| PIPE SIZE: | 1 ¹ / ₂ INCH SCHEDULE 40 PIPE |
| SUITABLE FOR: | CONCRETE, FIBERGLASS AND VINYL POOLS |
| WARRANTY: | 1 YEAR |

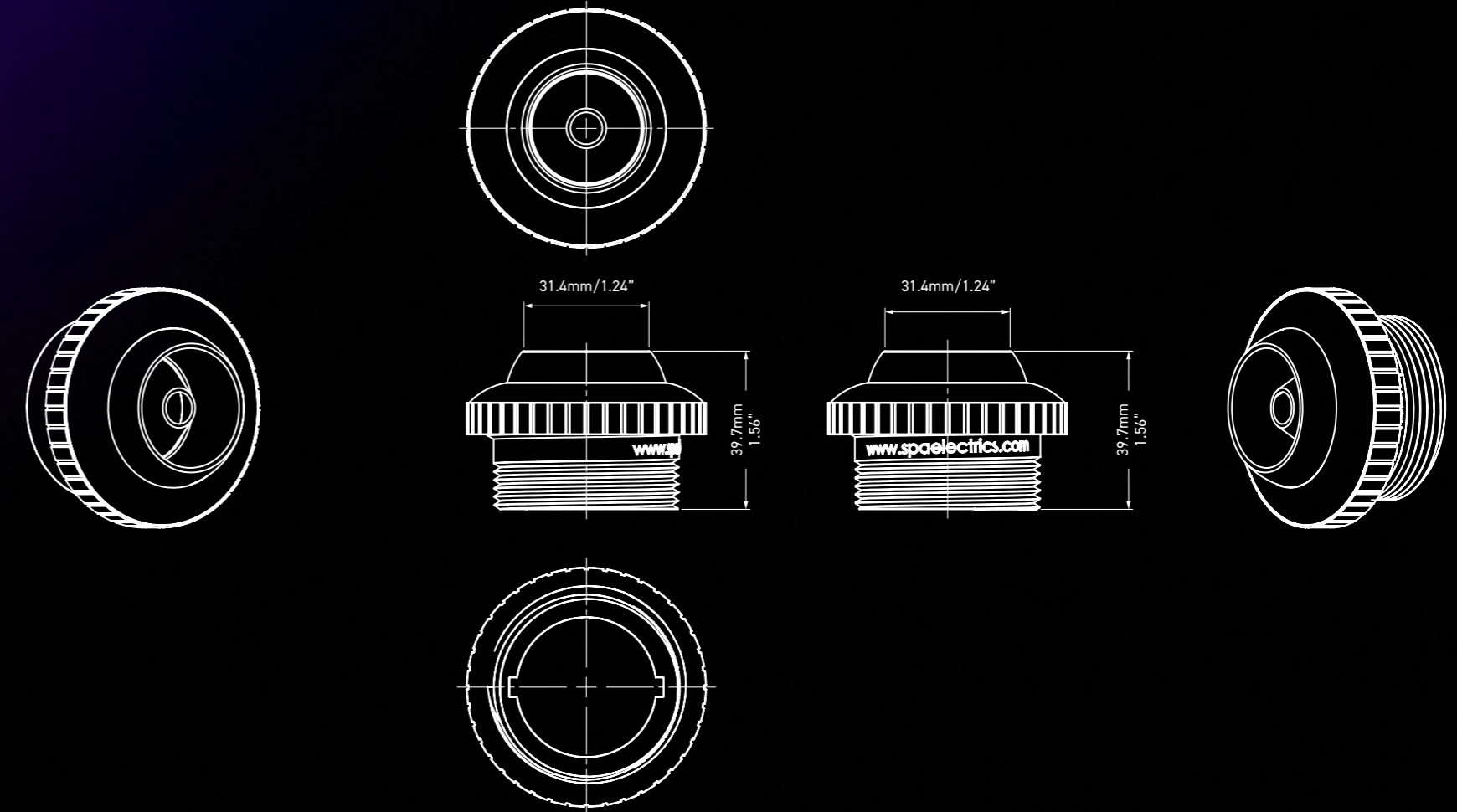
*Compatible with most major brand pool controllers.



iBOOST PRO

VARIABLE FLOW RETURN

Overall DIMENSIONS

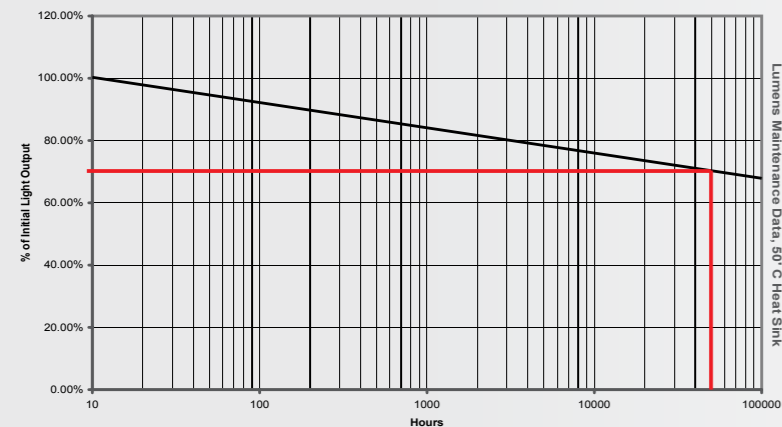


Dimensions subject to change without notice. Document released 08/05/2025

PHOTOMETRIC Data

OVERVIEW

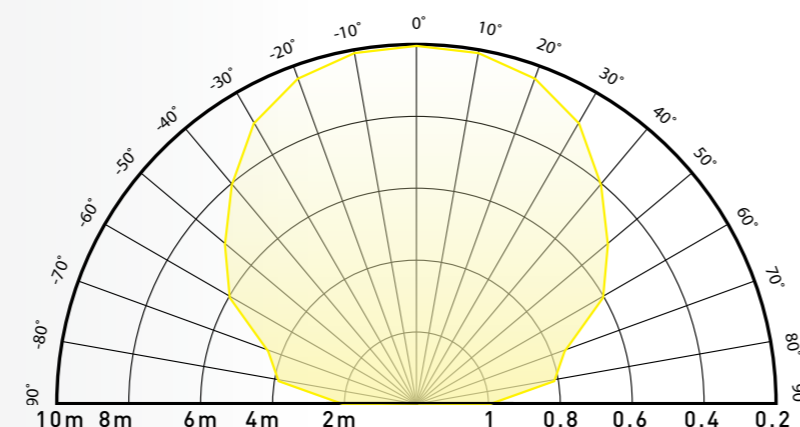
| Title | Description |
|--------------------------|--|
| DRIVE CURRENT: | 1.0A |
| VOLTAGE: | 12V ac |
| WATTAGE: | 12w |
| OUTPUT: | RED: 249lm GREEN: 500lm BLUE: 180lm WHITE: 1020lm |
| LUMINOUS EFFICACY | R: 21lm-w G: 41lm-w B: 15lm-w W: 85lm-w |
| SURGE PROTECTION: | 4 joules (2ms) |
| LM80: | 70% @ 50,000hrs |



LUMENS MAINTENANCE

POLAR PLOT

| Relative Intensity |
|--------------------|
| +/- 80° :38% |
| +/- 60° :60% |
| +/- 45° :75% |
| +/- 20° :95% |
| +/- 0° :100% |



POLAR PLOT

WAVELENGTH

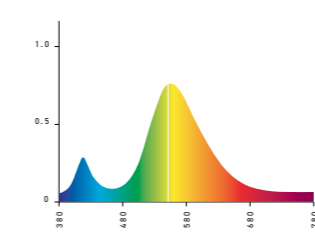
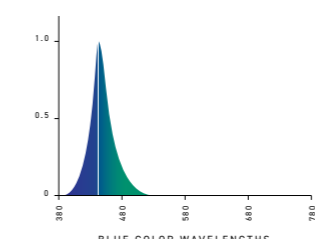
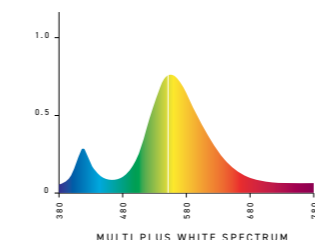
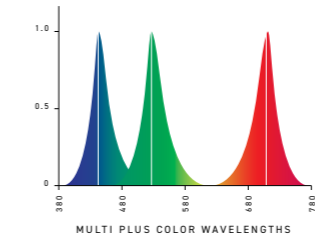
| Red (Multi-Plus) | |
|------------------|-------|
| DOMINANT: | 627nm |
| PEAK: | 645nm |

| Green (Multi-Plus) | |
|--------------------|-------|
| DOMINANT: | 512nm |
| PEAK: | 512nm |

| Blue (Multi-Plus & Single Color) | |
|----------------------------------|-------|
| DOMINANT: | 466nm |
| PEAK: | 470nm |

| 4000k White (Multi-Plus & Single Color) | |
|---|-------|
| DOMINANT: | 570nm |
| PEAK: | 580nm |

| Spectrum (Multi-Plus & Single Color) | |
|--------------------------------------|-------|
| CCT: | 3800k |
| PURITY: | 30% |
| CRI. (Ra): | 71 |
| COLOR | |
| CIEx: | 0.39 |
| CIEy: | 0.38 |



Note: All lights have been tested in air and the visual appearance in water will vary depending on color, water attenuation, pool interior, color absorption and water clarity. Spa Electrics reserves the right to change these specifications without prior notice.

ORDER CODE Legend

LIGHT STOCK CODE

Q6 C L 12 L3 C MP

MODEL CODE

- Q6** QUANTUM 6" Series
- A3** ATOM 3" Series
- N3** ARGON 3" Series
- T1** TITAN 1.5" Series
- R10** RETRO 10" Series
- R8** RETRO 8" Series
- R6** RETRO 6" Series
- N1** NICHELESS 1.5" Series
- T1** RETRO 1.5" Series

INSTALLATION

- C** CONCRETE
- F** FIBERGLASS
- V** VINYL
- B** BLUESQUARE ADAPTER
- H** HAYWARD ADAPTER
- N** NARROW RIM

LED

- L** LED

LIGHT SOURCE

- 12** 12V AC

LED COLOR

- MP** MULTI PLUS
- BL** BLUE
- RD** RED
- W3** WHITE 3000K
- W4** WHITE 4000K

RIM COLOR

- C** CLEAR
- W** WHITE
- G** GREY

PACKAGING INCLUSIONS

- Inc 1x Replacment Light **L0**
- Inc 1x Replacement Light/ Mounting Kit/ Cable 100FT **L3**
- Inc 1x Replacement Light/ Mounting Kit/ Cable 150FT **L4**
- Inc 1x Replacement Light/ Niche Adapter/ Plug Assembly/ Rim **R1**
- Inc 1x Replacement Light/ Alternate Adapter/ Plug Assembly/ Rim **R2**

TRANSFORMER STOCK CODE

LiT Y2X RFH

MODEL CODE

- LiT** LITYARD
- LVX** LVX SERIES

VERSION

- LITYARD 2 **Y2X**
- 100 WATTS **100**
- 50 WATTS **50**

CONFIGURATION

- RECEIVER & HANDSET **RFH**
- RECEIVER ONLY **RF**
- HANDSET ONLY **H**

EYEBALL STOCK CODE

EB RP VF US BK

MODEL CODE

- EB** EYEBALL STANDARD

INSTALLATION

- RP** REPLACEMENT RETINA
- SPT** 1.5" THREADED RETURN

OUTLET TYPE

- VF** VARIABLE

EYEBALL COLOR

- BK** BLACK
- GY** GREY
- W4** WHITE

PACKAGING INCLUSIONS

- Single **US**
- 4 Pack **US4**
- 50 Pack **US50**
- 100 Pack **US100**



