



 **Spa Electrics**
PRODUCT GUIDE

WELCOME

Spa Electrics designs, manufactures and supplies the underwater lighting industry with the highest quality pool lighting products and associated equipment.

Quality and Innovation defines both our Brand and Products.

Our Dealer Price Book details our current range of complete Kits, Accessories and Spare Parts.

Please contact your Spa Electrics representative for orders, delivery and service.

Designed and manufactured in Australia to world-leading standards.

HOW TO ORDER

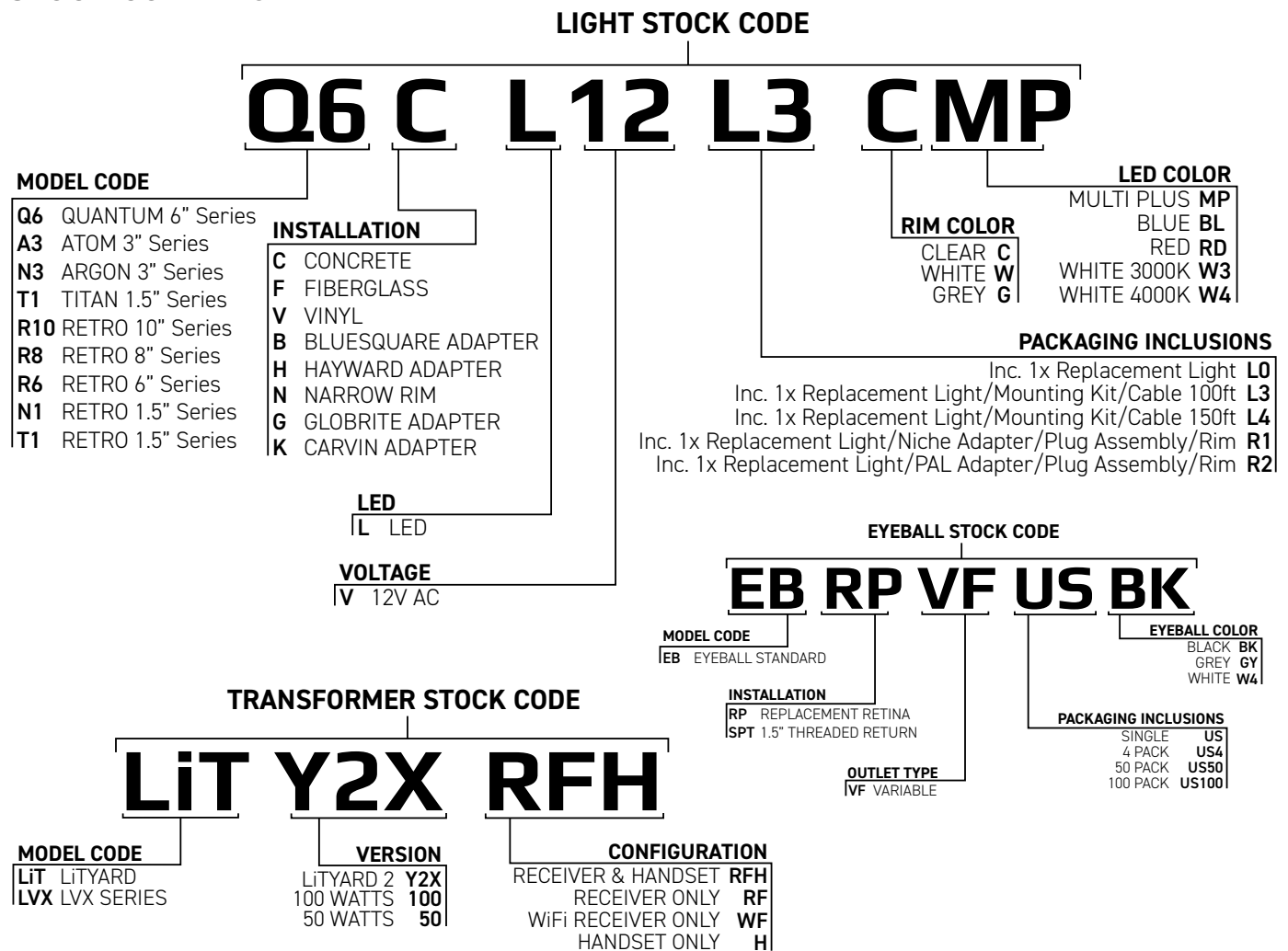
Customers can order by:

Email: orders@spaelectrics.com

Website: Complete the Order Form on our website at www.spaelectrics.com/salesorder

Phone: Give us a call at 1-800-708-5545

STOCK CODE LEGEND



PRODUCT RANGE

3" ATOM

Product Overview	6
Concrete Top Entry/Back Entry Niche/Light Diagram	7
Fiberglass/Vinyl Niche/Light Diagram	8
Product Codes	9
Accessories Product Codes	10

6" QUANTUM

Product Overview	11
Light/Niche Dimensions	12
Product Codes	13

3" ARGON

Product Overview	14
Vinyl/Fiberglass Niche/Light Diagram	15
Product Codes	16

3" ARGON Nicheless

Product Overview	17
Light/Adapter Diagram & Product Codes	18

1.5" TITAN

Product Overview	19
Concrete/Vinyl/Fiberglass Niche/Light Diagram	20
Product Codes	21

10" R10 RETRO

Product Overview	22
Light/Adapter Diagram	23
Product Codes	24
Accessories, Product Codes	25

PRODUCT RANGE

8" R8 RETRO

Product Overview	26
Light/Adapter Diagram	27
Product Codes	28

6" R6 RETRO

Product Overview	29
Light/Adapter Diagram, Product Codes	30

3" N1 RETRO

Product Overview	31
Light/Adapter Diagram, Product Codes	32

1.5" T1 RETRO

Product Overview	33
Concrete/Vinyl/Fiberglass Adapter/Light Diagram	34
Product Codes	35

LITYARD 2

Overview/Diagram/Product Codes	36
--------------------------------	----

LVX SERIES

Overview/Diagram/Product Codes	37
--------------------------------	----

iBOOST PRO

Overview/Diagram/Product Codes	38
--------------------------------	----



Atom 3": Ultra Compact LED Niche Light

Advanced Design Features:

- Innovative Direct Connect Plug
- Dynamic, brilliant LED illumination

Ultimate Flexibility:

- Models to suit all pool installations: Concrete, Vinyl and Fiberglass.
- Available in Blue, White or MULTI PLUS.

Tough, Durable and Reliable:

- IPX8 Waterproof rating.
- UL Certified.
- 3-Year Warranty



Exploded view of Niche and Mounting Ring (Leveling)



Back Entry Atom 3" for Concrete Pools



Top Entry Atom 3" for Concrete Pools

Atom 3" for Fiberglass and Vinyl Pools

Product Specifications

Parameter	Specifications
Voltage	10.5 ~ 13V AC
Wattage	12W
Ingress Protection	IPX8

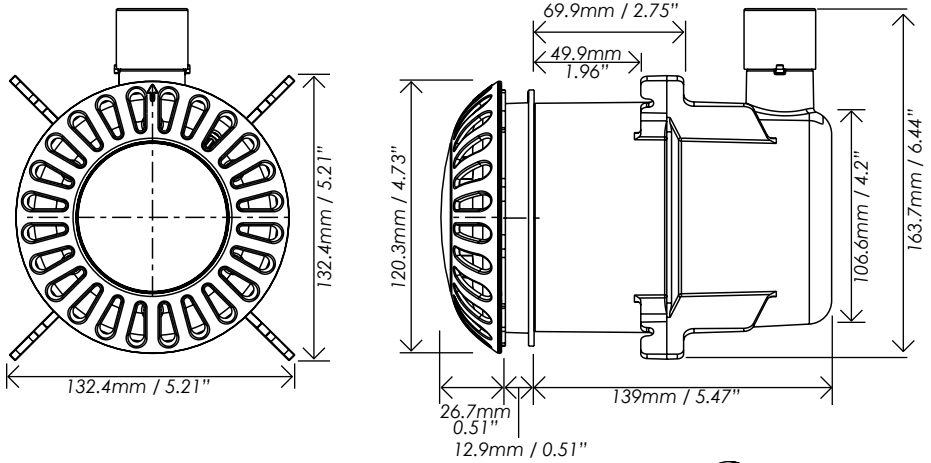
Product Options

LED Color	MULTI PLUS	BLUE	WHITE
LED Array	RGB+W	Blue	White
Wavelength	Varies	460nm	4000k
Lumens	850lm max	180lm	850lm
Default Colors	True White Aqua Blue Magenta Red Lime Green	Blue	White
	Show 1 - Oceanic Views Show 2 - Transcendence Show 3 - Outback Adventure Show 4 - Spring Equinox		

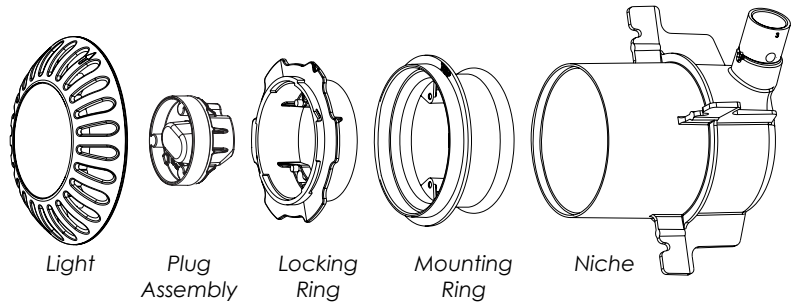
Controllers Compatible with a range of Pool Controllers and their color patterns

A3C L12 L3T CMP (Top Entry Niche)

Dimensions:

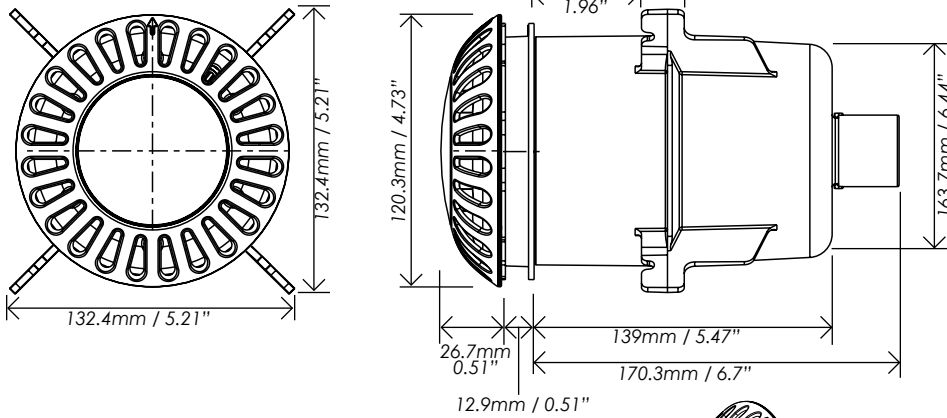


Components:

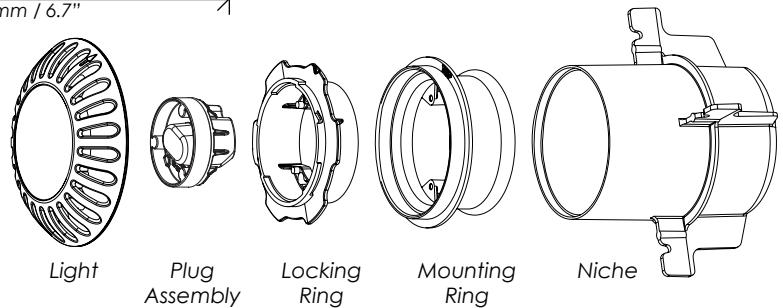


Dimensions:

A3C L12 L3R CMP (Rear Entry Niche)



Components:

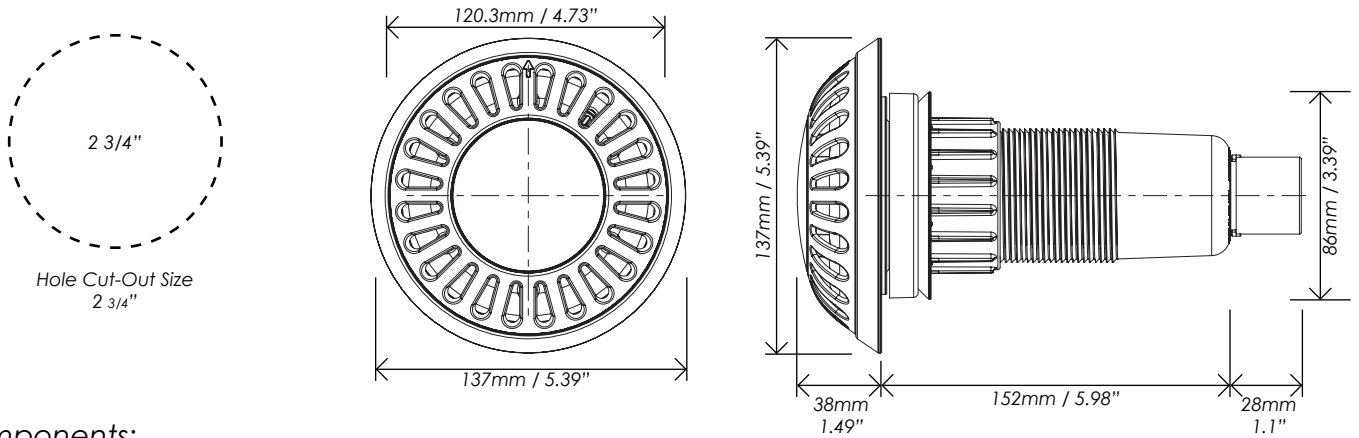




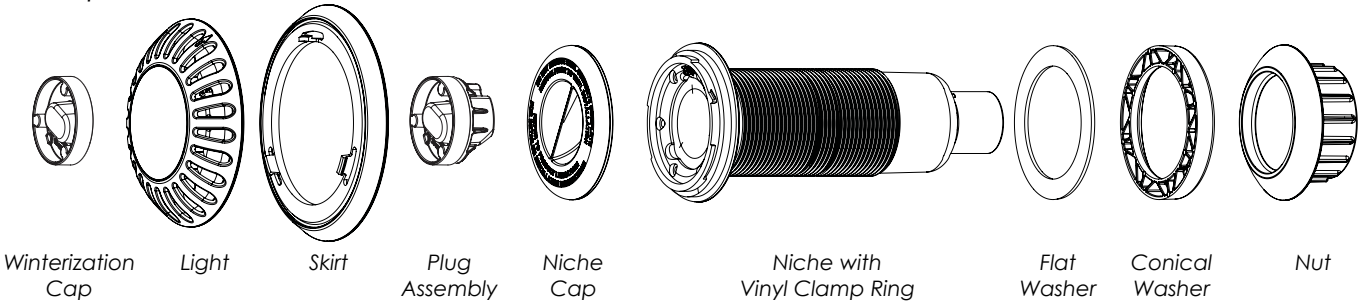
atom

A3F L12 L3 CMP (Fiberglass)

Dimensions:

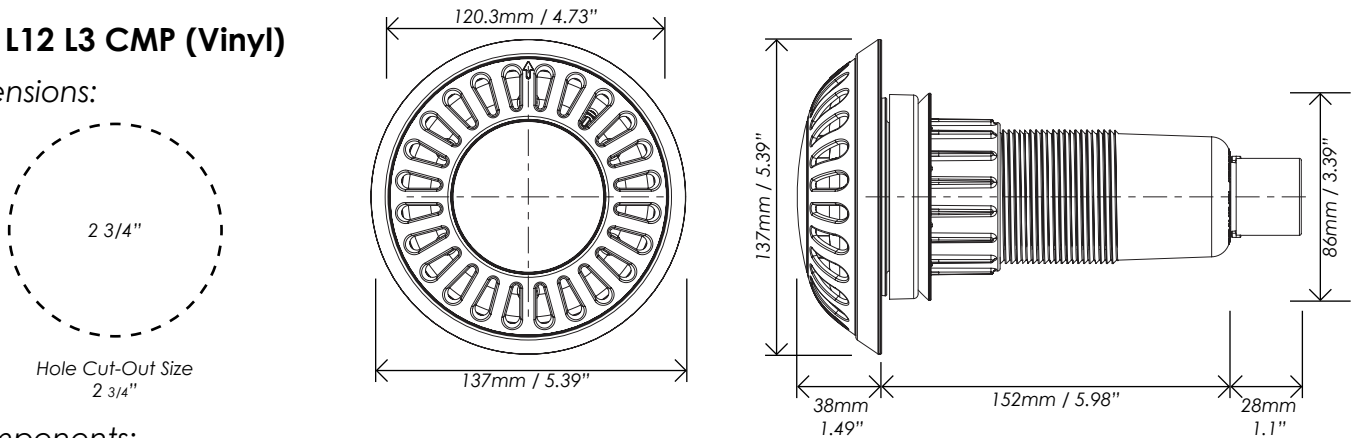


Components:

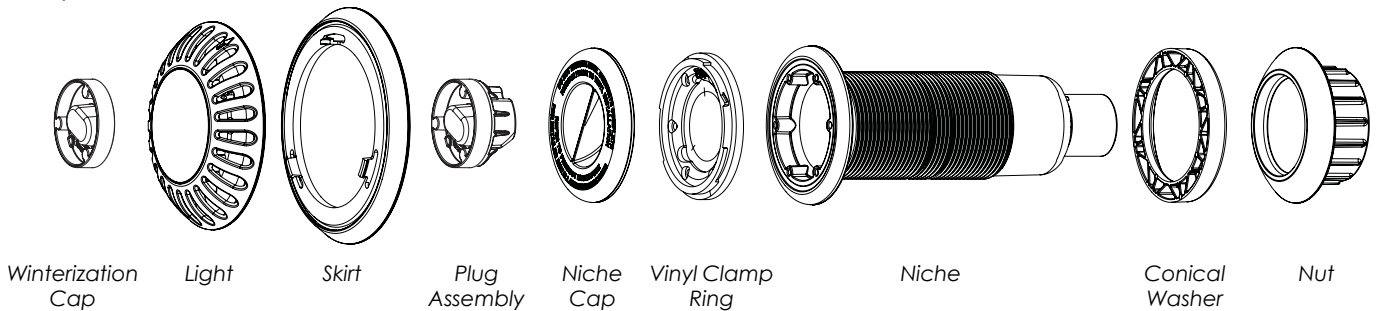


A3V L12 L3 CMP (Vinyl)

Dimensions:



Components:



Spa Electrics®
PRODUCT GUIDE

Phone 1-800-708-5545
Web www.spaelectrics.com



atom

Lights and Mounting Kits: Choose your Pool Type, Light Option, and then Cable Length. Each Kit includes 1x ATOM 3" Light, Mounting Kit and Cable.

For Concrete Pools	<i>Cable Length</i>	<i>Product Code</i>
Multi Plus	100ft	A3C L12 L3 CMP
	150ft	A3C L12 L4 CMP
Blue	100ft	A3C L12 L3 CBL
	150ft	A3C L12 L4 CBL
White 4000K	100ft	A3C L12 L3 CW4
	150ft	A3C L12 L4 CW4
Red (Turtle Safe)	100ft	A3C L12 L3 CRD
	150ft	A3C L12 L4 CRD

For Fiberglass Pools	<i>Cable Length</i>	<i>Product Code</i>
Multi Plus	100ft	A3F L12 L3 CMP
	150ft	A3F L12 L4 CMP
Blue	100ft	A3F L12 L3 CBL
	150ft	A3F L12 L4 CBL
White 4000K	100ft	A3F L12 L3 CW4
	150ft	A3F L12 L4 CW4

For Vinyl Pools	<i>Cable Length</i>	<i>Product Code</i>
Multi Plus	100ft	A3V L12 L3 CMP
	150ft	A3V L12 L4 CMP
Blue	100ft	A3V L12 L3 CBL
	150ft	A3V L12 L4 CBL
White 4000K	100ft	A3V L12 L3 CW4
	150ft	A3V L12 L4 CW4

Replacement Lights:

For Concrete, Fiberglass or Vinyl Pools	<i>Product Code</i>
1x ATOM 3" Multi Plus	A3 L12 L0 CMP
1x ATOM 3" Blue	A3 L12 L0 CBL
1x ATOM 3" White	A3 L12 L0 CW4
1x ATOM 3" Red (Turtle Safe)	A3 L12 L0 CRD

*** All A3C Kits come with Rear Exit Niche. If you require Top Exit Niches, add a "T" on to the "L3" section of the SKU. (ex. A3C L12 L3T CMP)**



A3 L12 L0 CMP



EMC 008LT



Atom 3"
Concrete Back Entry



Atom 3"
for Fiberglass Pools



Atom 3"
for Vinyl Pools

Accessories:

For Concrete Pools	<i>Product Code</i>
3" Niche with Rear Conduit Take Off	EMC 008LR US
3" Niche with Top Conduit Take Off	EMC 008LT US
3" Locking Ring	EMC 009LL US
3" Mounting Ring (Leveling)	EMC 009LM US
100ft Cable, 18AWG, Plug, Cable Gland	EMP 18AWG 100
150ft Cable, 18AWG, Plug, Cable Gland	EMP 18AWG 150
Replacement Nut, Gland and Washer	A3C 014
Spacer Ring for Atom 3"	RING A3 CL US
Atom Plug Attachment Screws - 10 Pack	SCREW M3.5 X 25

For Fiberglass Pools	<i>Product Code</i>
100ft Cable & Niche, 18WG, Plug, and Cable Gland	EMFP 18AWG 100 US
150ft Cable & Niche, 18WG, Plug, and Cable Gland	EMFP 18AWG 150 US
Flat Sealing Washer for Fiberglass Atom 3"	WASHER EM US
Replacement Compression Plate Gland and Screws	A3FV 014

For Vinyl Pools	<i>Product Code</i>
3" Vinyl / Clamp Ring / 6x Fasteners	EMV 006 US
100ft Cable & Niche, 18AWG, Plug, and Cable Gland	EMVP 18AWG 100 US
150ft Cable & Niche, 18AWG, Plug, and Cable Gland	EMVP 18AWG 150 US
Replacement Compression Plate Gland and Screws	A3FV 014

For Concrete, Fiberglass or Vinyl Pools	<i>Product Code</i>
Replacement Waterproof Plug Cover	EMC 003 US



EMC 008LR



EMC 009LL /
EMC 009LM



EMV 006



Cable
(EMP, EMVP or EMFP)



QUANTUM



Quantum 6": High Performance LED Niche Light

Perfect Installation and Ease of Servicing:

- Innovative Mounting System
- Self-adjusting Leveling Ring
- Patented Direct Connect Plug Assembly
- Stylish Flush Mount Design

Tough, Durable and Reliable:

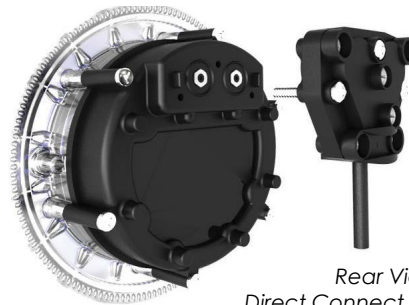
- IPX8 Waterproof rating.
- UL Certified.
- 3-Year Warranty

Suitable for Concrete Pools:

- Available in Blue, White or MULTI PLUS



Exploded View of Niche and Mounting Ring (Leveling)



Rear View of Direct Connect Plug Assembly

Product Specifications

Parameter	Specifications
Voltage	10.5 ~ 13V AC
Wattage	12W
Ingress Protection	IPX8

Product Options

LED Color	MULTI PLUS	BLUE	WHITE
LED Array	RGB+W	Blue	White
Wavelength	Varies	460nm	4000k
Lumens	850lm max	180lm	850lm
Default Colors	True White Aqua Blue Magenta Red Lime Green	Blue	White
	Show 1 - Oceanic Views Show 2 - Transcendence Show 3 - Outback Adventure Show 4 - Spring Equinox		

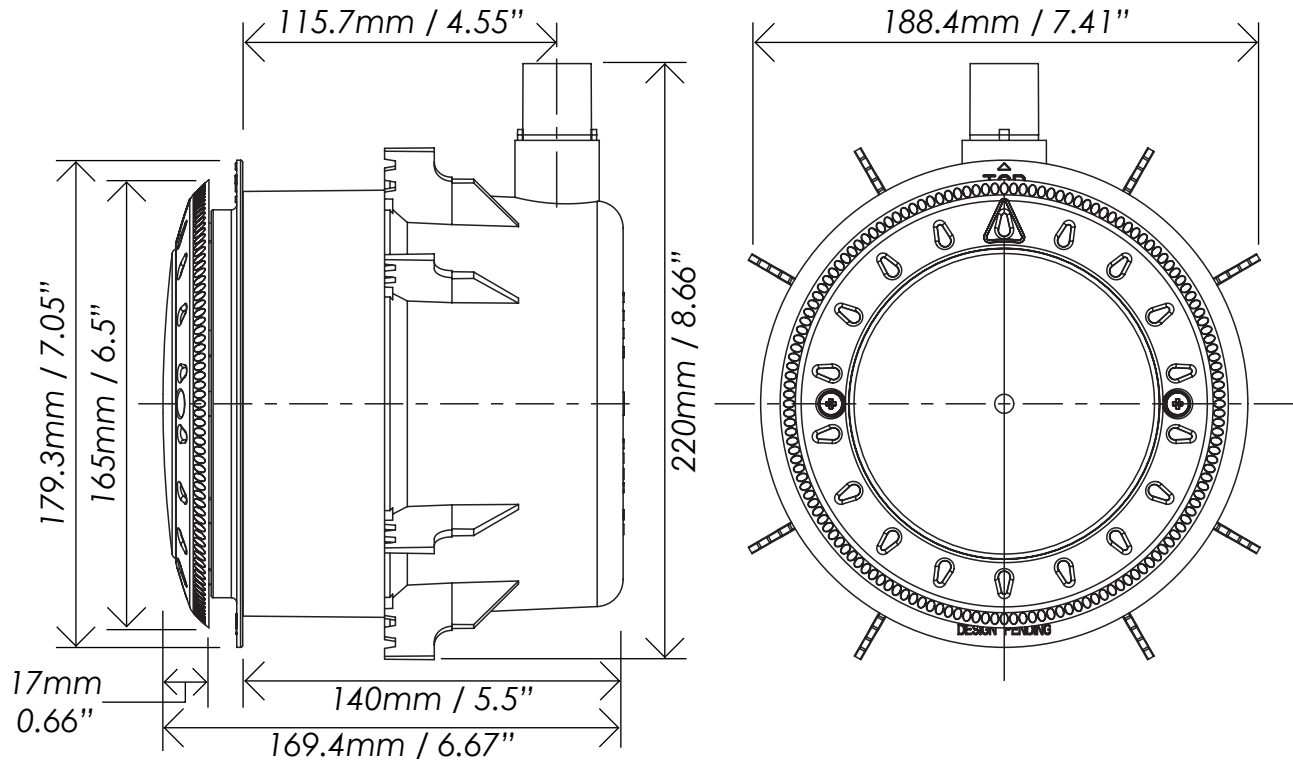
Controllers Compatible with a range of Pool Controllers and their color patterns

Q6C L12 L3T CMP (Top Entry Niche)

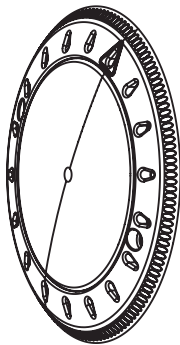


QUANTUM

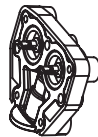
Dimensions:



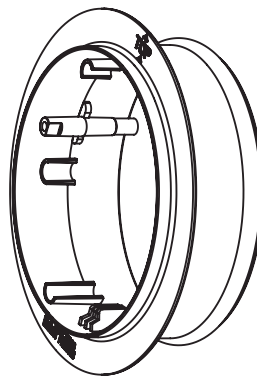
Components:



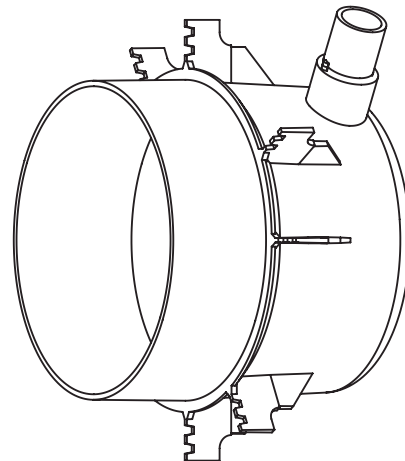
Light



Plug
Assembly



Mounting Ring
(Leveling)



Niche



QUANTUM

Lights and Mounting Kits for Concrete Pools: Choose your Light Option, then Cable Length. Each Kit includes 1x QUANTUM 6" Light, Mounting Kit and Cable.

LED Option	Cable Length	Product Code
Multi Plus	100ft	Q6C L12 L3 CMP
	150ft	Q6C L12 L4 CMP
Blue	100ft	Q6C L12 L3 CBL
	150ft	Q6C L12 L4 CBL
White 4000K	100ft	Q6C L12 L3 CW4
	150ft	Q6C L12 L4 CW4
Red (Turtle Safe)	100ft	Q6C L12 L3 CRD
	150ft	Q6C L12 L4 CRD

Replacement Lights	Product Code
1 x QUANTUM 6" Multi Plus	Q6 L12 L0 CMP
1 x QUANTUM 6" Blue	Q6 L12 L0 CBL
1 x QUANTUM 6" White 4000K	Q6 L12 L0 CW4
1 x QUANTUM 6" Red (Turtle Safe)	Q6 L12 L0 CRD

Accessories	Product Code
Replacement Waterproof Plug Cover	WN903
Replacement Mounting Screws - 10 Pack	SCREW 6-20 X 64
Top Niche for Q6 - w/ Gland & Foam Insert	WN9082 US
Rear Niche for Q6 - w/ Gland & Foam Insert	WN9082 R US
Mounting Ring (Leveling)	WN909 US
100ft Cable, 18AWG, Plug, Cable Gland	WNP9 18AWG 100
150ft Cable, 18AWG, Plug, Cable Gland	WNP9 18AWG 150

*** All Q6C Kits come with Top Exit Niche. If you require Rear Exit Niches, add an "R" on to the "L3" section of the SKU. (ex. Q6C L12 L3R CMP)**



Q6 L12 L0 CMP



WNP9 18AWG 100



WN9082 R US



Q6C L12 L3 CMP



Argon 3™: Built for Vinyl & Fiberglass

Built Smarter for Performance in Extremes:

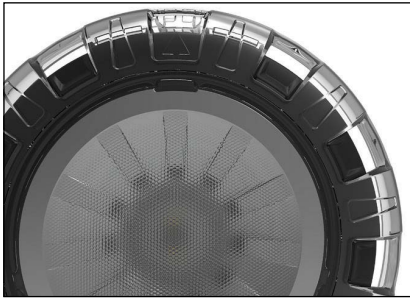
- Forward Facing Heat Sink for maximum Light Output
- Click 'n' Twist Winterization Cap System
- Quick Connect Plug Assembly

Tough, Durable and Reliable:

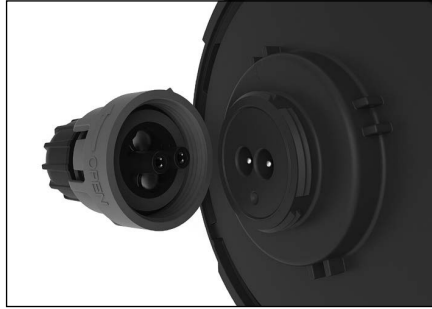
- IPX8 Waterproof rating.
- UL Certified.
- 3-Year Warranty

Suitable for Vinyl and Fiberglass Pools:

- Available in MULTI PLUS



Close-Up of Heat Sink
Maximises LED Performance



UL Listed Quick Connect Plug
for ease of installation and Servicing



Winterization System
Simply Click 'n'Twist between Seasons

Product Specifications

Parameter	Specifications
Voltage	10.5 ~ 13V AC
Wattage	12W
Ingress Protection	IPX8
Vinyl & Fiberglass Pools	Steel Wall Composite

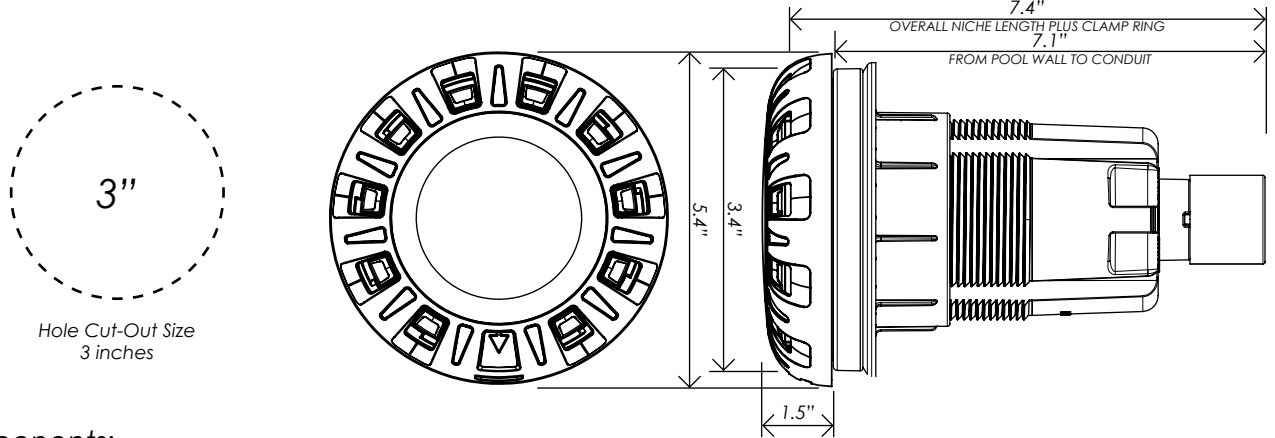
Product Options

LED Color	MULTI PLUS
LED Array	RGB+W
Wavelength	Varies
Lumens	1000lm max
Default Colors	True White Aqua Blue Magenta Red Lime Green Show 1 - Oceanic Views Show 2 - Transcendence Show 3 - Outback Adventure Show 4 - Spring Equinox

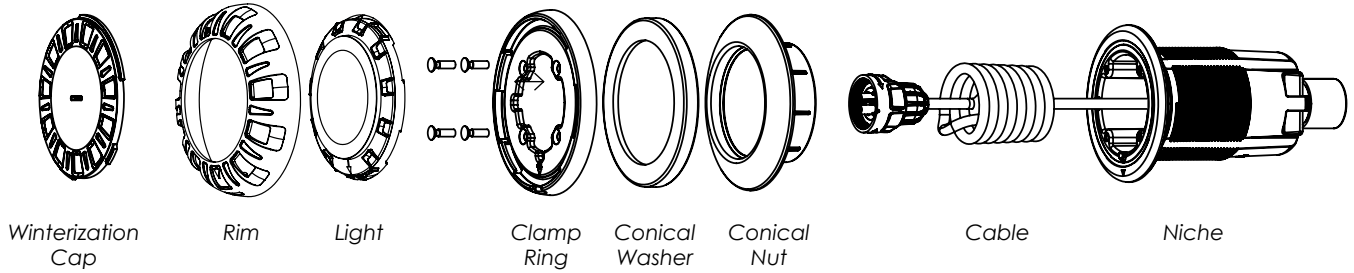
Controllers Compatible with a range of Pool Controllers and their color patterns

N3V L12 L3 CMP (Vinyl)

Dimensions:

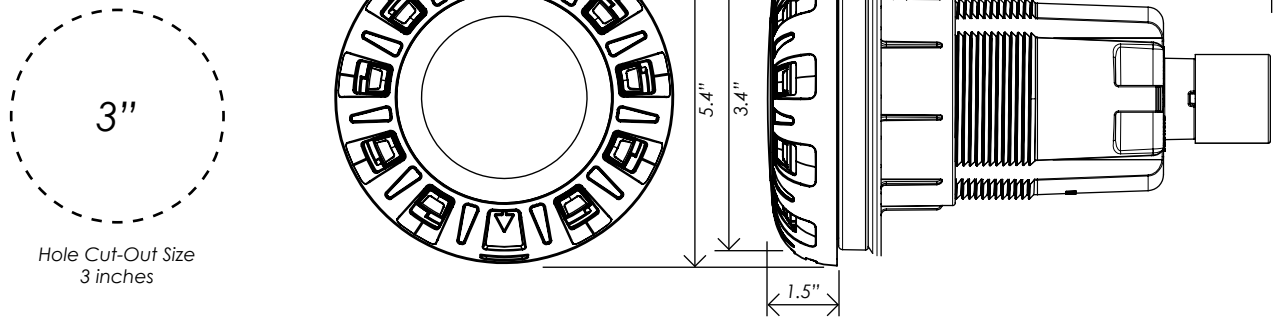


Components:

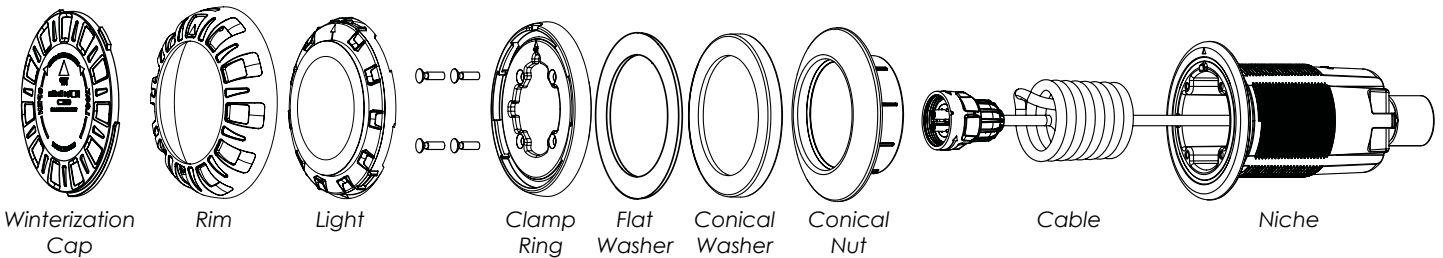


N3F L12 L3 CMP (Fiberglass)

Dimensions:



Components:





For Vinyl Pools

LED Option	Cable Length	Product Code
Multi Plus	100ft	N3V L12 L3 CMP
Multi Plus	150ft	N3V L12 L4 CMP

For Fiberglass Pools

LED Option	Cable Length	Product Code
Multi Plus	100ft	N3F L12 L3 CMP
Multi Plus	150ft	N3F L12 L4 CMP

Replacement Lights

	Product Code
1x ARGON 3" Multi Plug Light w/ Clear Rim	N3 L12 L0 CMP

Accessories

	Product Code
Plug Top Kit	N3 003
Winterization Kit	N3V 001
Conical Nut and Washer	N3V 005
Vinyl Clamp Ring + 4 Fasteners	N3V 006
Vinyl Niche Kit (complete assembly)	N3V 013
100ft 18AWG Power Cord	N3 18AWG 100 US
150ft 18AWG Power Cord	N3 18AWG 150 US
Vinyl 100ft 18AWG Power Cord	N3V 18AWG 100 US
Vinyl 150ft 18AWG Power Cord	N3V 18AWG 150 US
Clear Rim	N3 004 CL
Atom Plug Attachment Screws - 10 Pack	SCREW M3.5 X 25
Replacement Argon Mounting Screws x4	SCREW 9 X 13 AB

* Each Kit includes 1x ARGON 3" Light, Mounting Kit and Cable



N3V L12 L3 CMP



N3V 005



N3V 006



N3 18AWG 100

ARGON

Nicheless



Argon 3" Nicheless

Perfect Installation and Ease of Servicing:

- Innovative light replacement of any 1.5" threaded fitting
- Low-voltage LED upgrade
- Quick Connect Plug Kit included that utilizes existing cable

Tough, Durable and Reliable:

- IPX8 Waterproof rating.
- UL Certified.
- 3-Year Warranty

Suitable for any 1.5" threaded fitting:

- Available in MULTI PLUS



Threaded Collar for a water-tight plug connection



UL Listed Quick Connect Plug for ease of installation and servicing



Adapter Plate

Product Specifications

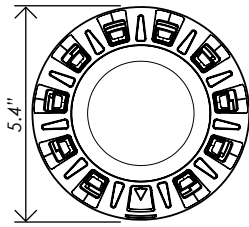
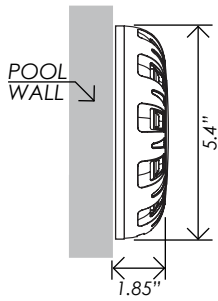
Parameter	Specifications
Voltage	10.5 ~ 13V AC
Wattage	15W
Ingress Protection	IPX8
Controllers	Compatible with major brand Pool Controllers
Transformers	Compatible with LVX and most major 12V AC transformers

Product Options

LED Color	MULTI PLUS
LED Array	RGB+W
Wavelength	Varies
Lumens	1000lm max
Default Colors	True White Aqua Blue Magenta Red Lime Green Show 1 - Oceanic Views Show 2 - Transcendence Show 3 - Outback Adventure Show 4 - Spring Equinox
Controllers	Compatible with a range of Pool Controllers and their color patterns

N1 L12 L3 CMP

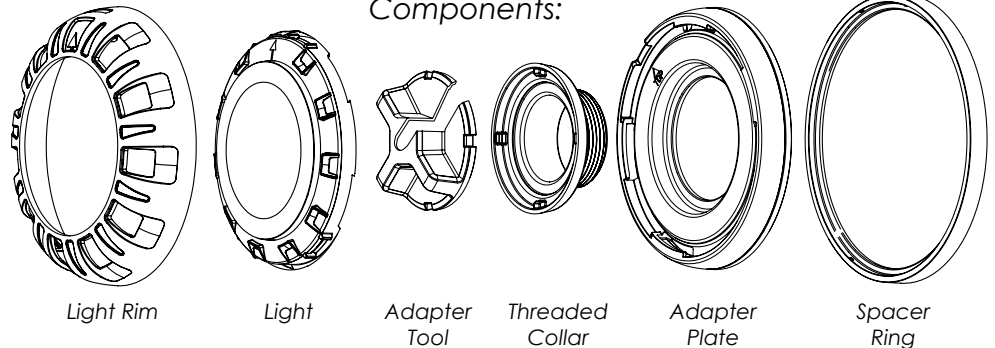
Dimensions:



ARGON

Nicheless

Components:



New Pool Installation

Argon Light w/ Adapter Plate + 100ft Cable

Product Code

N1 L12 L3 CMP

Argon Light w/ Adapter Plate + 150ft Cable

N1 L12 L4 CMP

Replacement Lights

1x ARGON 3" Multi Plug Light w/ Clear Rim

Product Code

N3 L12 L0 CMP

Accessories

N1 Adapter Kit (no Light)

Product Code

N1 005

Plug Top Kit

N3 003

Clear Rim

N3 004 CL

100ft 18AWG Power Cord

N3 18AWG 100 US

150ft 18AWG Power Cord

N3 18AWG 150 US



N3 18AWG 100



Adapter Tool



Threaded Collar



Adapter Plate



Titan 1": Tiny but Mighty 1.5" Ultra Low-Profile Light

Our smallest Light with Big features for every pool and spa:

- Innovative Curly Cable Design
- Water-Cooled Titanium Heat Sink for Maximum Longevity
- Quick Connect Plug Assembly

Tough, Durable and Reliable:

- IPX8 Waterproof rating.
- UL Certified.
- 3-Year Warranty

Suitable for Concrete, Vinyl, and Fiberglass Pools:

- Available in MULTI PLUS



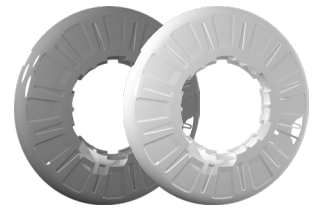
Titan Concrete Installation



Titan Concrete Grey/White Rims



Titan Vinyl/Fiberglass Installation



Titan Vinyl/Fiberglass Grey/White Rims

Product Specifications

Parameter	Specifications
Voltage	10.5 ~ 13V AC
Wattage	8W
Ingress Protection	IPX8

Controllers Compatible with major brand Pool Controllers

Transformers Compatible with LVX and most major 12V AC transformers

Product Options

LED Color	MULTI PLUS
LED Array	RGB+W
Wavelength	Varies
Lumens	375lm max

Default Colors

- True White
- Aqua
- Blue
- Magenta
- Red
- Lime
- Green
- Show 1 - Oceanic Views
- Show 2 - Transcendence
- Show 3 - Outback Adventure
- Show 4 - Spring Equinox

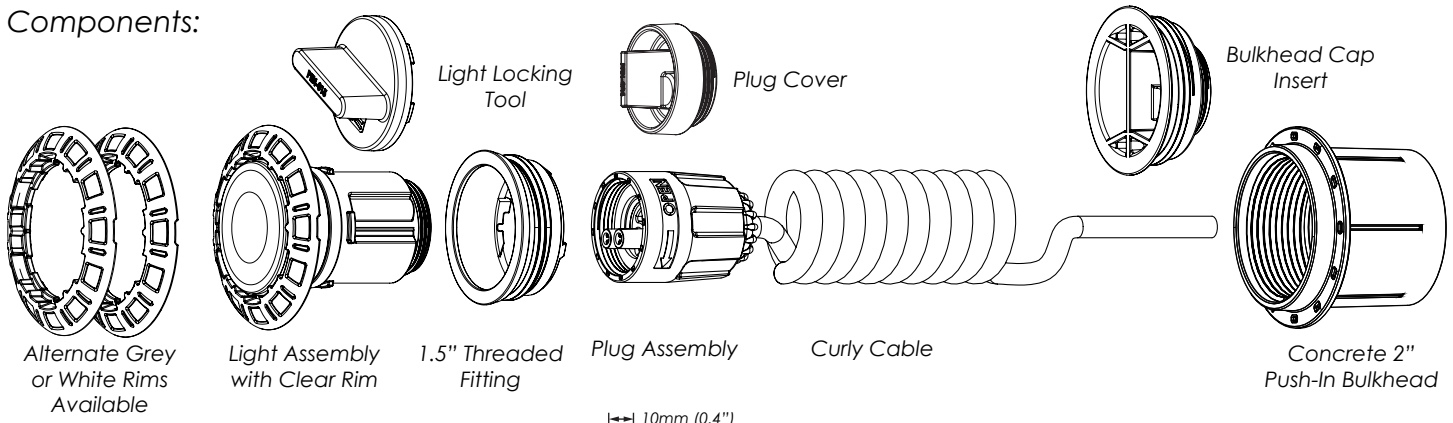
Controllers Compatible with a range of Pool Controllers and their color patterns



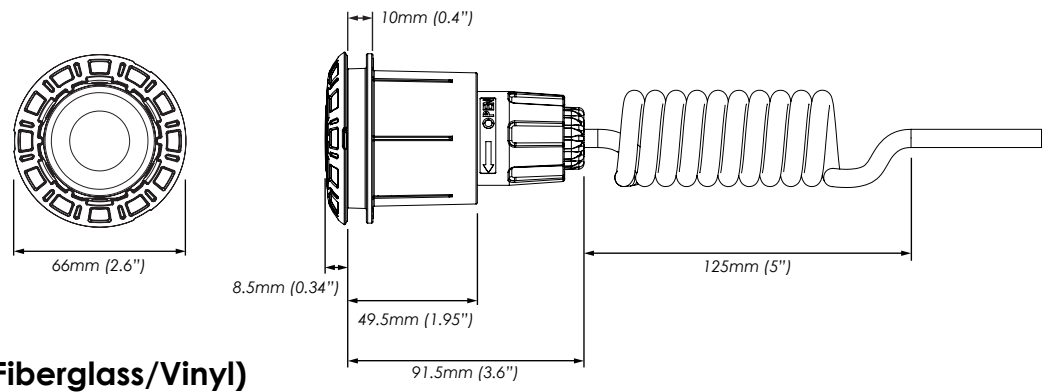
TITAN

T1C L12 L3 MP (Concrete)

Components:

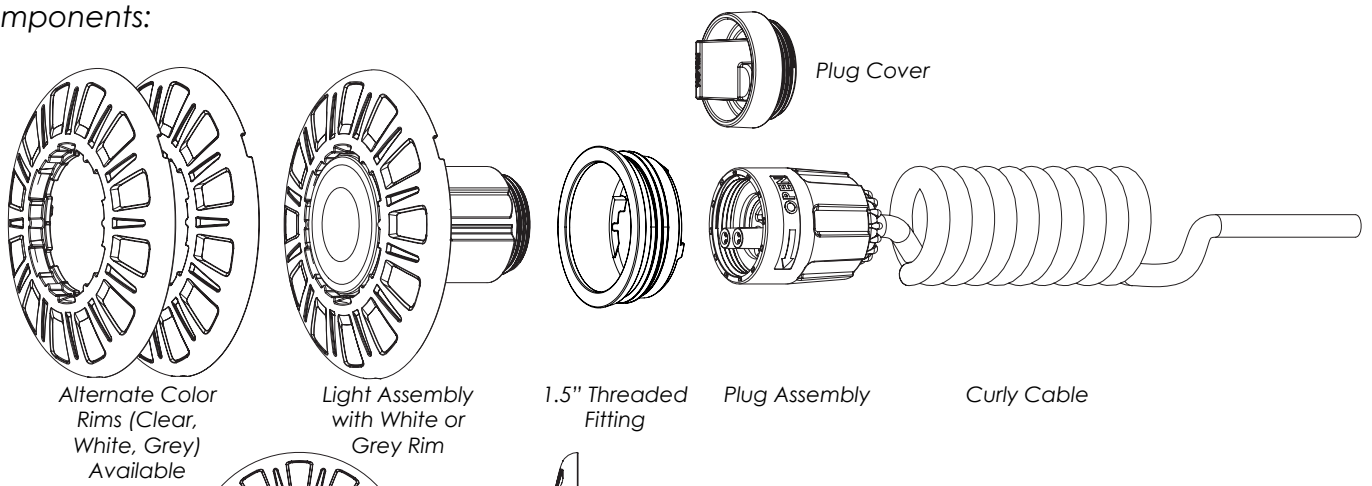


Dimensions:

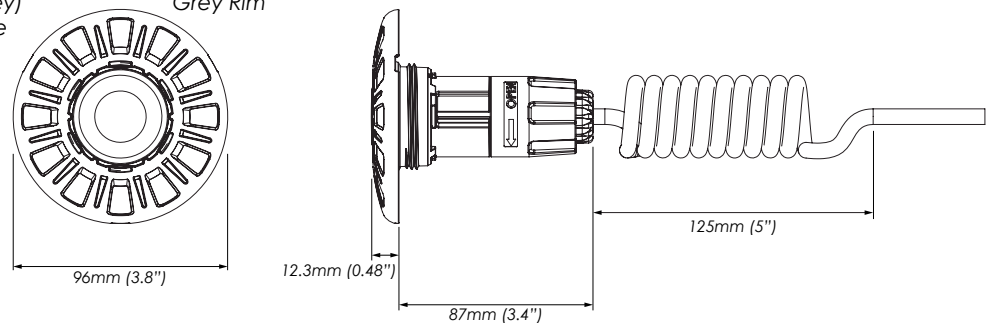


T1FV L12 L3 MP (Fiberglass/Vinyl)

Components:



Dimensions:





Concrete/Fiberglass/Vinyl Installation

Product Code

Titan T1 Multi Plus DB Light + Concrete Clear Rim + Concrete Bulkhead + 1.5" Thread + 100ft Cable T1C L12 L3 CMP

Titan T1 Multi Plus DB Light + Concrete Clear Rim + Concrete Bulkhead + 1.5" Thread + 150ft Cable T1C L12 L4 CMP

Titan T1 Multi Plus DB Light +Fiberglass/Vinyl White Rims + 1.5" Thread + 100ft Cable T1FV L12 L3 WMP

Titan T1 Multi Plus DB Light +Fiberglass/Vinyl White Rims + 1.5" Thread + 150ft Cable T1FV L12 L4 WMP

Titan T1 Multi Plus DB Light +Fiberglass/Vinyl Grey Rims + 1.5" Thread + 100ft Cable T1FV L12 L3 GMP

Titan T1 Multi Plus DB Light +Fiberglass/Vinyl Grey Rims + 1.5" Thread + 150ft Cable T1FV L12 L4 GMP

Replacement Lights

Product Code

Titan T1 Multi Plus DB Light Only + 1.5" Thread T1 L12 L0 MP

Accessories

Product Code

Titan T1 Plug Cover T1 001

Titan T1 Plug Top Kit T1 003

Titan T1 Concrete Bulkhead for 2" Pipe w/ Cap T1C 009

Titan T1 Concrete Clear Rim T1C 004 CL

Titan T1 Concrete Grey Rim T1C 004 GY

Titan T1 Concrete White Rim T1C 004 WH

Titan T1 Fiberglass/Vinyl Clear Rim T1FV 004 CL

Titan T1 Fiberglass/Vinyl Grey Rim T1FV 004 GY

Titan T1 Fiberglass/Vinyl White Rim T1FV 004 WH

Titan T1 Light Locking Tool T1 016

Titan T1 1.5" Threaded Adapter Sleeve T1 017

Titan T1 100ft 18AWG Cable Coiled w/Plug T1 18AWG 100 US

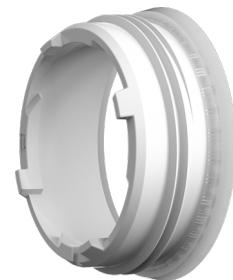
Titan T1 150ft 18AWG Cable Coiled w/Plug T1 18AWG 150 US



T1 18AWG 100 US



T1 L12 L0 MP



T1 017

R10 *retro*

REPLACEMENT LED POOL LIGHT



R10 Retro 10": Universal Replacement Pool Light

Designed by Builders for Builders:

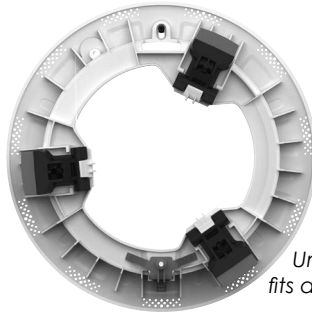
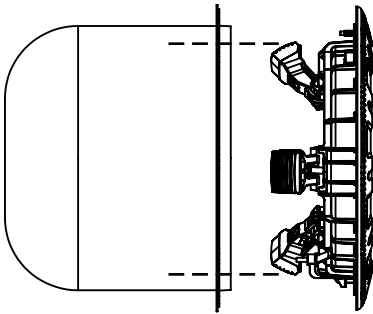
- Dual Mounting System
- Universal Adapter with Cam-Locks attaches to niches in any condition
- Direct Connect Plug Assembly
- Extra Safe Low Voltage 12VAC Connection
- Super Cooling Rear Facing External Heat Sink

Tough, Durable and Reliable:

- IPX8 Waterproof rating.
- UL Certified.
- 3-Year Warranty

Suitable for Concrete & Vinyl Pools:

- Available in Blue, White 3000K, White 4000K or MULTI PLUS



Universal Adapter
fits all major 10" niches



Cam-Lock
Mechanism
secures fit to
niches in any
condition



Extra Safe Low Voltage
Direct Connect Plug

Product Specifications

Parameter	Specifications
Voltage	10.5 ~ 13V AC
Wattage	45W
Ingress Protection	IPX8

Product Options

LED Color	MULTI PLUS	BLUE	WHITE Warm	Daylight
LED Array	RGB+W	Blue	White	White
Wavelength	Varies	465nm	n/a	n/a
Color Temp	4000k	n/a	3000k	4000k
Lumens	3200lm	1000lm	3200lm	3200lm
Color Range	Range of colors and shows	Blue	Warm	Daylight

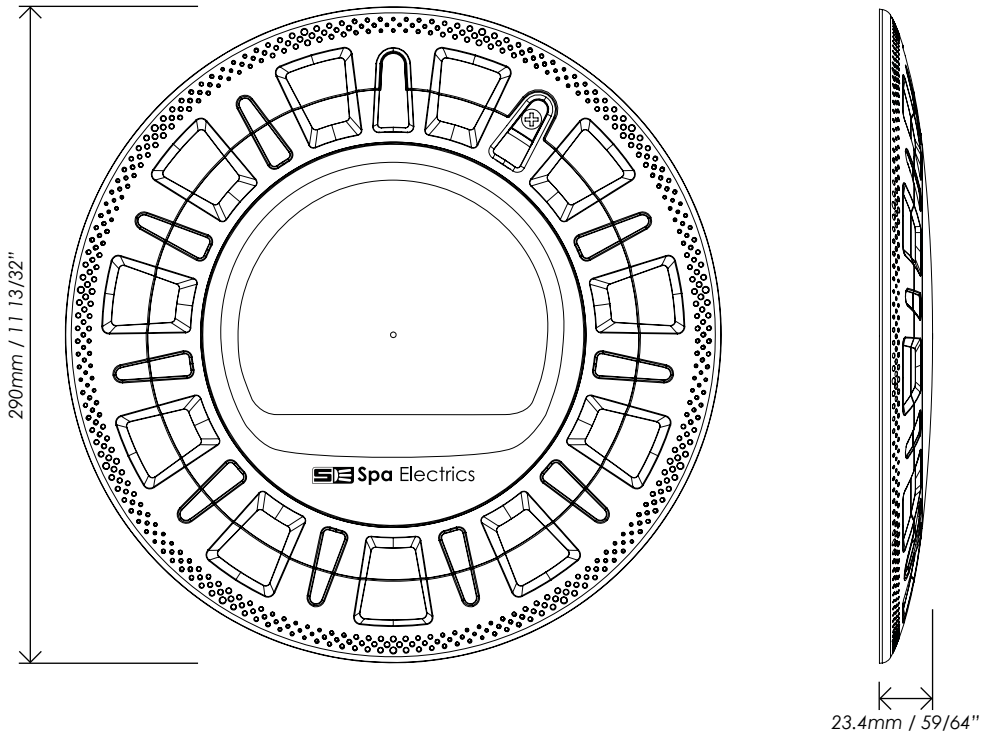
Niches	Compatible with major brand 10" Concrete & Vinyl Niches
Controllers	Compatible with a range of Pool Controllers and their color patterns
Transformers	Compatible with LVX and most major 12V AC transformer brands

R10C L12 R1

Dimensions:

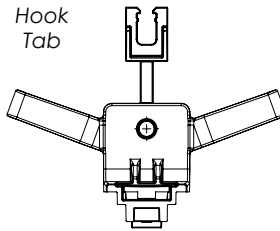
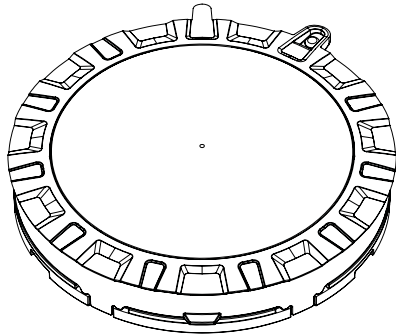
R10 *retro*

REPLACEMENT LED POOL LIGHT

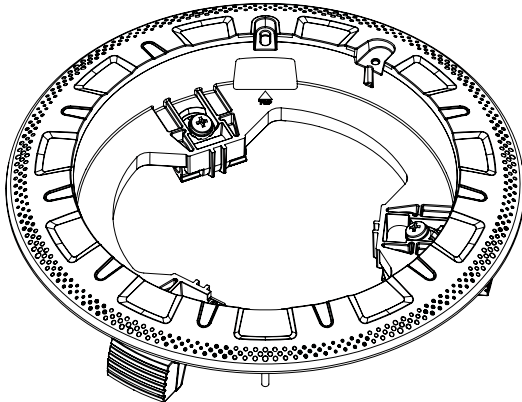


Components:

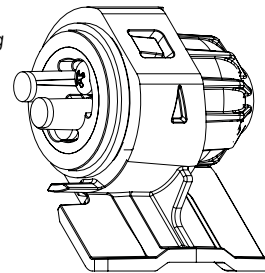
Light Module



Universal Adapter



Plug



R10 *retro*

REPLACEMENT LED POOL LIGHT

Lights and Universal Adapter Kits:

Choose your *Light Option*, then *Universal Adapter* and *Rim Color*

<i>LED Option</i>	<i>Rim Color</i>	<i>Product Code</i>
Multi Plus	White	R10C L12 R1 WMP
	Grey	R10C L12 R1 GMP
Blue	White	R10C L12 R1 WBL
	Grey	R10C L12 R1 GBL
White 4000K	White	R10C L12 R1 WW4
	Grey	R10C L12 R1 GW4
White 3000K	White	R10C L12 R1 WW3
	Grey	R10C L12 R1 GW3

Hayward Shallow Lights and Universal Adapter Kits:

Choose your *Light Option*, then *Universal Adapter* and *Rim Color*

<i>LED Option</i>	<i>Rim Color</i>	<i>Product Code</i>
Multi Plus	White	R10H L12 R1 WMP
	Grey	R10H L12 R1 GMP
Blue	White	R10H L12 R1 WBL
	Grey	R10H L12 R1 GBL
White 4000K	White	R10H L12 R1 WW4
	Grey	R10H L12 R1 GW4
White 3000K	White	R10H L12 R1 WW3
	Grey	R10H L12 R1 GW3

Pentair Aqualumin Lights and Universal Adapter Kits:

Choose your *Light Option*, then *Universal Adapter* and *Rim Color*

<i>LED Option</i>	<i>Rim Color</i>	<i>Product Code</i>
Multi Plus	White	R10A L12 R1 WMP
	Grey	R10A L12 R1 GMP
Blue	White	R10A L12 R1 WBL
	Grey	R10A L12 R1 GBL
White 4000K	White	R10A L12 R1 WW4
	Grey	R10A L12 R1 GW4
White 3000K	White	R10A L12 R1 WW3
	Grey	R10A L12 R1 GW3

R10 *retro*

REPLACEMENT LED POOL LIGHT

Accessories	<i>Product Code</i>
Universal Adapter Plate - White	R10C 008 WH
Universal Adapter Plate - Grey	R10C 008 GY
Rim - White	R10 004 WH
Rim - Grey	R10 004 GY
Winterization Kit	R10 001
Vinyl Trim Kit - White (3x Dress Rings: Hayward, Jandy, Pentair)	R10V 0021 WH
Vinyl Trim Kit - Grey (3x Dress Rings: Hayward, Jandy, Pentair)	R10V 0021 GY
Plug Top Kit	R10 003
Cam-Lock Kit	R10C 006
Hook Tab + Mounting Screws	R10 007
100ft 12AWG Power Cord	R10 12AWG 100 US
150ft 12AWG Power Cord	R10 12AWG 150 US
Replacement Screw for R10 008	SCREW M4 X 12P
Replacement Screw for Cam Kit	SCREW M6 X 40P

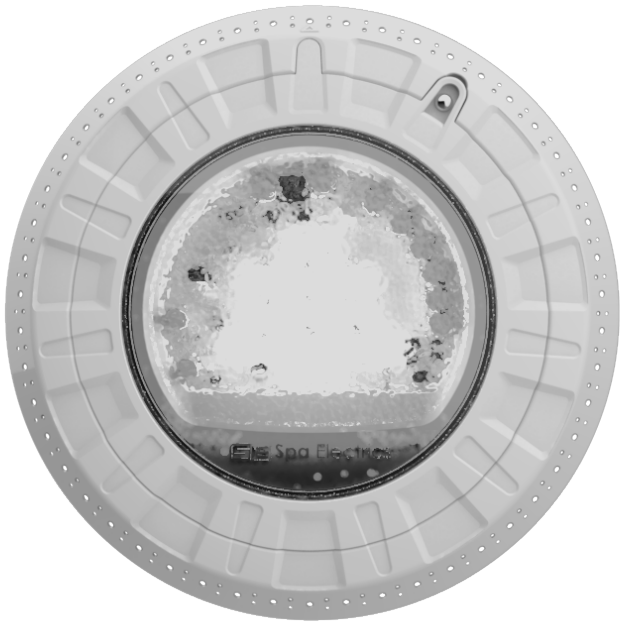
Replacement LED Options	<i>Product Code</i>
Multi Plus	R10 L12 L0 MP
Blue	R10 L12 L0 BL
White 4000K	R10 L12 L0 W4
White 3000K	R10 L12 L0 W3

Hayward Shallow Niche Adapter Accessories	<i>Product Code</i>
10" Hayward Adapter Plate - Grey	R10H 008 GY
10" Hayward Adapter Plate - White	R10H 008 WH

AquaLumin Niche/Accessories Adapter Accessories	<i>Product Code</i>
10" AquaLumin Adapter Plate - Grey	R10A 008 GY
10" AquaLumin Adapter Plate - White	R10A 008 WH
10" AquaLumin Top Screw + Washer Only	R10A 002

R8 *retro*

REPLACEMENT LED POOL LIGHT



R8 Retro 8": Universal Replacement Pool Light

Designed by Builders for Builders:

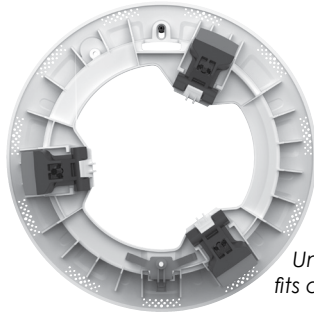
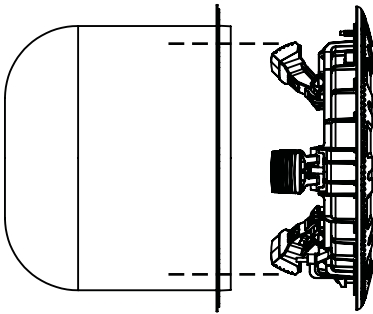
- Dual Mounting System
- Universal Adapter with Cam-Locks attaches to niches in any condition
- Direct Connect Plug Assembly
- Extra Safe Low Voltage 12VAC Connection
- Super Cooling Rear Facing External Heat Sink

Tough, Durable and Reliable:

- IPX8 Waterproof rating.
- UL Certified.
- 3-Year Warranty

Suitable for Concrete & Vinyl Pools:

- Available in Blue, White 3000K, White 4000K or MULTI PLUS



Universal Adapter fits all major 8" niches



Cam-Lock Mechanism secures fit to niches in any condition



Extra Safe Low Voltage Direct Connect Plug

Product Specifications

Parameter	Specifications
Voltage	10.5 ~ 13V AC
Wattage	45W
Ingress Protection	IPX8

Product Options

LED Color	MULTI PLUS	BLUE	WHITE Warm	Daylight
LED Array	RGB+W	Blue	White	White
Wavelength	Varies	465nm	n/a	n/a
Color Temp	4000k	n/a	3000k	4000k
Lumens	3200lm	1000lm	3200lm	3200lm
Color Range	Range of colors and shows	Blue	Warm	Daylight

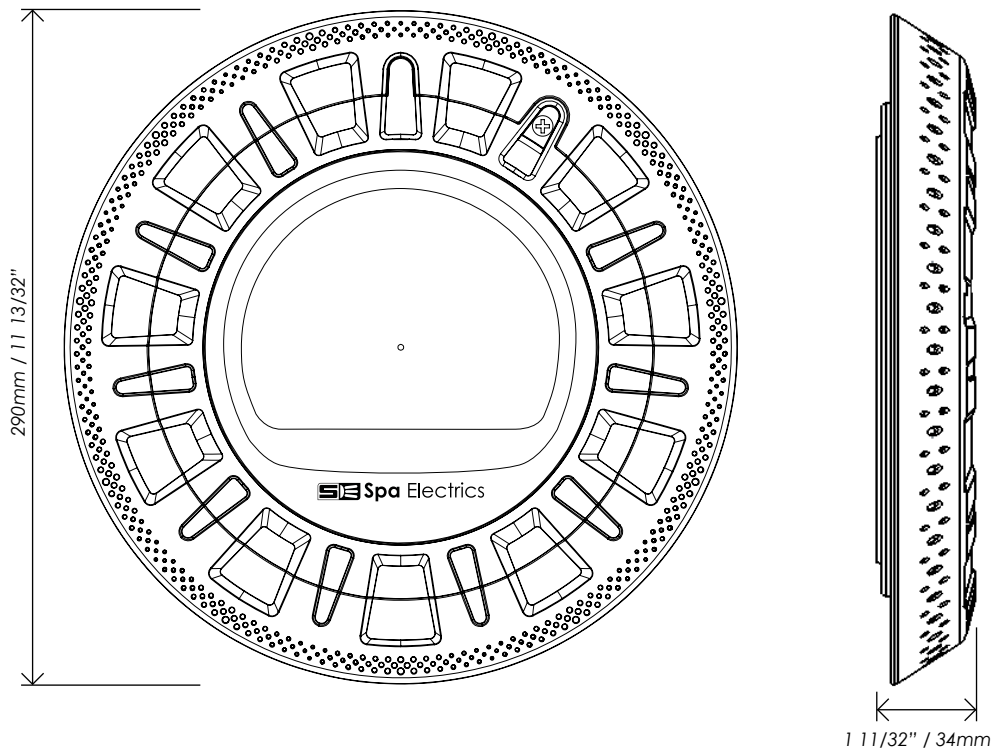
Niches	Compatible with major brand 8" Concrete & Vinyl Niches
Controllers	Compatible with a range of Pool Controllers and their color patterns
Transformers	Compatible with LVX and most major 12V AC transformer brands

R8C L12 R1

Dimensions:

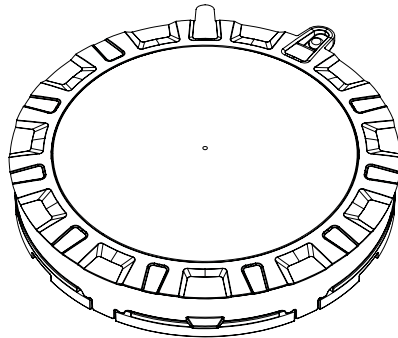
R8 *retro*

REPLACEMENT LED POOL LIGHT

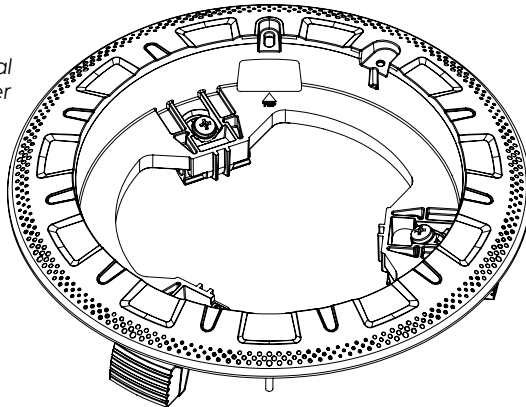


Components:

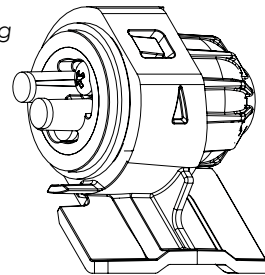
Light Module



Universal Adapter



Plug



R8 *retro*

REPLACEMENT LED POOL LIGHT

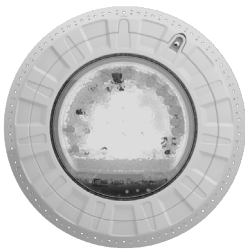
Lights and Universal Adapter Kits:

Choose your Light Option, then Universal Adapter and Rim Color

LED Option	Rim Color	Product Code
Multi Plus	White	R8C L12 R1 WMP
	Grey	R8C L12 R1 GMP
Blue	White	R8C L12 R1 WBL
	Grey	R8C L12 R1 GBL
White 4000K	White	R8C L12 R1 WW4
	Grey	R8C L12 R1 GW4
White 3000K	White	R8C L12 R1 WW3
	Grey	R8C L12 R1 GW3

LED Option	Product Code
Multi Plus	R10 L12 L0 MP
Blue	R10 L12 L0 BL
White 4000K	R10 L12 L0 W4
White 3000K	R10 L12 L0 W3

Accessories	Product Code
Universal Adapter Plate - White	R8C 008 WH
Universal Adapter Plate - Grey	R8C 008 GY
Rim - White	R10 004 WH
Rim - Grey	R10 004 GY
Winterization Kit	R10 001
Plug Top Kit	R10 003
Cam-Lock Kit	R10C 006
100ft 12AWG Power Cord	R10 12AWG 100 US
150ft 12AWG Power Cord	R10 12AWG 150 US
Replacement Screw for R10 008	SCREW M4 X 12P
Replacement Screw for Cam Kit	SCREW M6 X 40P



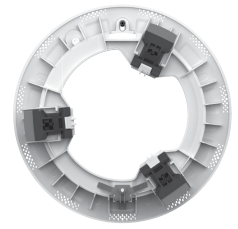
R8C L12 R1 WMP



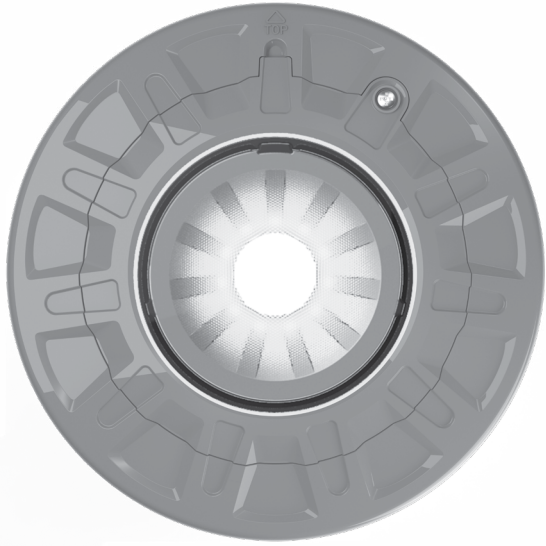
R10C 006



R10 003



R8C 008 WH



R6 Retro 6": Universal Replacement Pool Light

Designed by Builders for Builders:

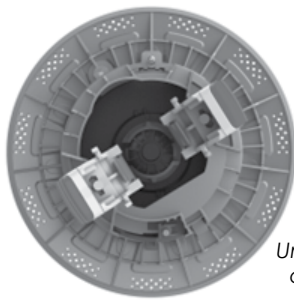
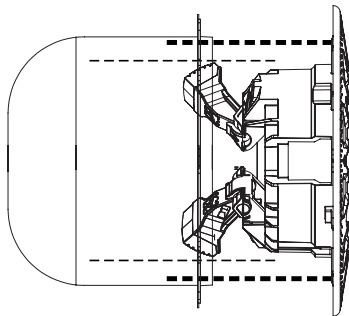
- Dual Mounting System
- Universal Adapter with Cam-Locks attaches to niches in any condition
- Direct Connect Plug Assembly
- Extra Safe Low Voltage 12VAC Connection

Tough, Durable and Reliable:

- IPX8 Waterproof rating.
- UL Certified.
- 3-Year Warranty

Suitable for 6" Niches in Concrete Pools:

- Available in MULTI PLUS



Universal Adapter fits all major 6" niches



Cam-Lock Mechanism secures fit to niches in any condition



Extra Safe Low Voltage Direct Connect Plug

Product Specifications

Parameter	Specifications
Voltage	10.5 ~ 13V AC
Wattage	15W
Ingress Protection	IPX8

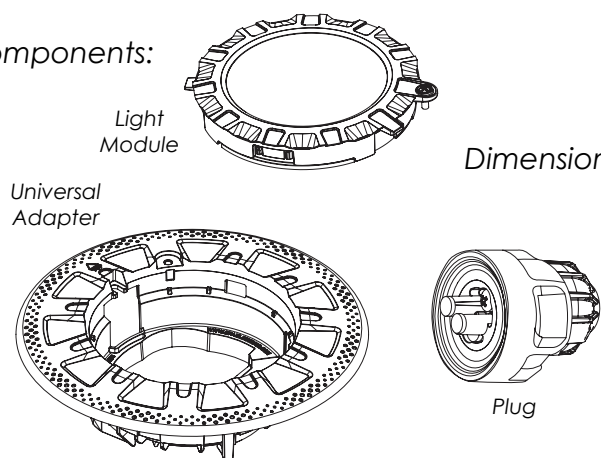
Niches	Compatible with major brand 6" Concrete Niches
Controllers	Compatible with major brand Pool Controllers
Transformers	Compatible with LVX and most major 12V AC transformers

Product Options

LED Color	MULTI PLUS
LED Array	RGB+W
Wavelength	Varies
Lumens	1000lm max
Default Colors	True White Aqua Blue Magenta Red Lime Green
	Show 1 - Oceanic Views Show 2 - Transcendence Show 3 - Outback Adventure Show 4 - Spring Equinox
Controllers	Compatible with a range of Pool Controllers and their color patterns

R6C L12 R1

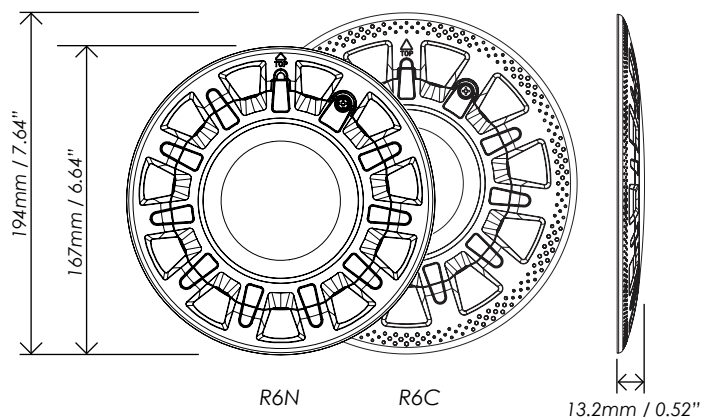
Components:



R6 *retro*

REPLACEMENT LED POOL LIGHT

Dimensions:



Lights and Universal Adapter Kits:

Choose your Light Option, then Universal Adapter and Rim Color

Standard Kits

	Rim Color	Product Code
R6 RETRO Kit Multi Plus (7.64" Rim)	White	R6C L12 R1 WMP
R6 RETRO Kit Multi Plus (7.64" Rim)	Grey	R6C L12 R1 GMP

Narrow Rim Kits

	Rim Color	Product Code
R6 RETRO Narrow Kit Multi Plus (6.64" Rim)	Grey	R6N L12 R1 GMP
R6 RETRO Narrow Kit Multi Plus (6.64" Rim)	White	R6N L12 R1 WMP

Blue Square Replacement

	Rim Color	Product Code
R6 Blue Square Replacement	White	R6B L12 R1 WMP
R6 Blue Square Replacement	Grey	R6B L12 R1 GMP

Accessories

	Product Code
1x ARGON 3" Multi Plug Light w/ Clear Rim	N3 L12 L0 CMP
Winterization Kit	R6C 001
Concrete Rim - White	R6C 004 WH
Concrete Rim - Grey	R6C 004 GY
Standard Cam-Lock Kit	R6C 006
Q500 Cam-Lock Kit	R6C 006 Q5
Concrete Adapter Plate - White (7.64" Rim)	R6C 008 WH
Concrete Adapter Plate - Grey (7.64" Rim)	R6C 008 GY
Vinyl Trim Kit - White (3x Dress Rings)	R6V 0021 WH
Vinyl Trim Kit - Grey (3x Dress Rings)	R6V 0021 GY
Retro 6" (R6) Blue Square Rim White	R6B 004 WH
Retro 6" (R6) Blue Square Rim Grey	R6B 004 GY
Retro 6" (R6) Narrow Rim Adapter Plate Grey (6.64" Rim)	R6N 008 GY
Retro 6" (R6) Narrow Rim Adapter Plate White (6.64" Rim)	R6N 008 WH



N1 Retro 3" for Nicheless

Designed by Builders for Builders:

- Innovative light replacement of any 1.5" threaded fitting
- Low-voltage LED upgrade
- Quick Connect Plug Kit included that utilizes existing cable

Tough, Durable and Reliable:

- IPX8 Waterproof rating.
- UL Certified.
- 3-Year Warranty

Suitable for any 1.5" threaded fitting:

- Available in MULTI PLUS



Threaded Collar for water-tight plug connection



Adapter Tool



Adapter Plate

Product Specifications

Parameter	Specifications
Voltage	10.5 ~ 13V AC
Wattage	15W
Ingress Protection	IPX8

Controllers	Compatible with major brand Pool Controllers
-------------	--

Transformers	Compatible with LVX and most major 12V AC transformers
--------------	--

Product Options

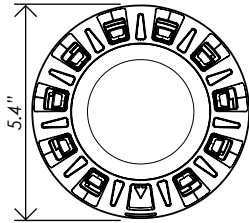
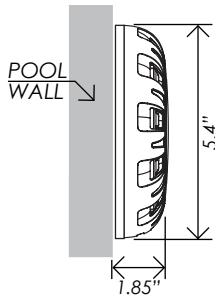
LED Color	MULTI PLUS
LED Array	RGB+W
Wavelength	Varies
Lumens	1000lm max

Default Colors	True White Aqua Blue Magenta Red Lime Green Show 1 - Oceanic Views Show 2 - Transcendence Show 3 - Outback Adventure Show 4 - Spring Equinox
----------------	--

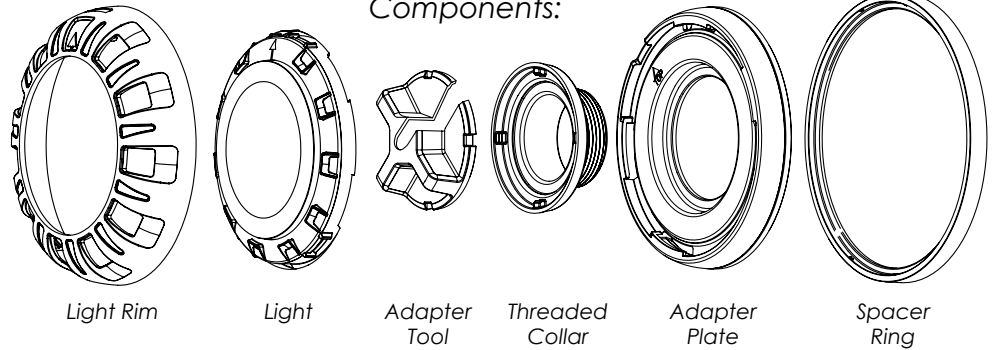
Controllers	Compatible with a range of Pool Controllers and their color patterns
-------------	--

N1 L12 R1 CMP

Dimensions:



Components:



RETRO-fit Installation

	Product Code
Argon Light w/ Adapter Plate + Plug Kit	N1 L12 R1 CMP
Argon Light w/ PAL Adapter Plate + Plug Kit	N1 L12 R2 CMP

Replacement Light

	Product Code
1x ARGON 3" Multi Plug Light w/ Clear Rim	N3 L12 L0 CMP

Accessories

	Product Code
N1 Adapter Kit	N1 005
N1 PAL Adapter Kit	N1 006
Plug Top Kit	N3 003
Clear Rim	N3 004 CL
100ft 18AWG Power Cord	N3 18AWG 100 US
150ft 18AWG Power Cord	N3 18AWG 150 US



N3 18AWG 100



N3 003



N3 L12 L0 CMP



T1 Retro 1.5": 1.5" Light Replacement

Our smallest Light with Big features for every pool and spa:

- Innovative Curly Cable Design
- Water Cooled Titanium Heat Sink for Maximum Longevity
- Quick Connect Plug Assembly

Tough, Durable and Reliable:

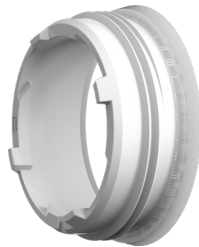
- IPX8 Waterproof rating.
- UL Certified.
- 3-Year Warranty

Suitable for Concrete, Vinyl Pools, and Fiberglass Pools:

- Available in MULTI PLUS



Titan T1 Retro 0.5ft
18AWG Cable Coiled
with Plug & Joiner



1.5" Threaded Adapter
fits standard 1.5" Threaded
Bulkheads



Titan T1 Light
Locking Tool

Product Specifications

Parameter	Specifications
Voltage	10.5 ~ 13V AC
Wattage	8W
Ingress Protection	IPX8

Controllers	Compatible with major brand Pool Controllers
-------------	--

Transformers	Compatible with LVX and most major 12V AC transformers
--------------	--

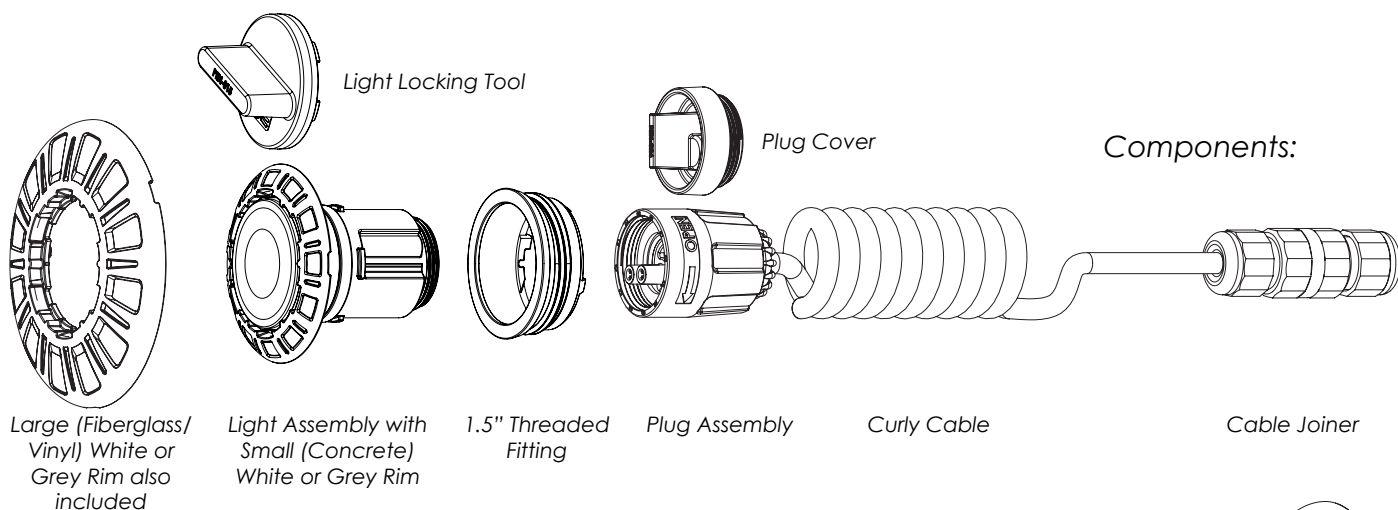
Product Options

LED Color	MULTI PLUS
LED Array	RGB+W
Wavelength	Varies
Lumens	375lm max

Default Colors	True White Aqua Blue Magenta Red Lime Green Show 1 - Oceanic Views Show 2 - Transcendence Show 3 - Outback Adventure Show 4 - Spring Equinox
----------------	--

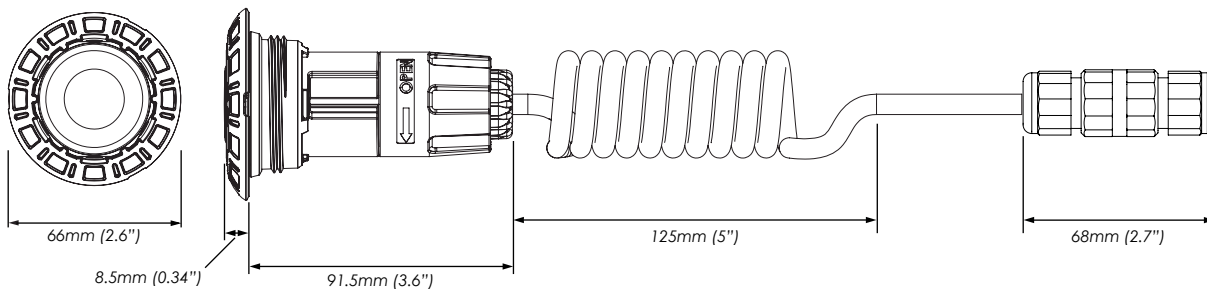
Controllers	Compatible with a range of Pool Controllers and their color patterns
-------------	--

T1C L12 R1

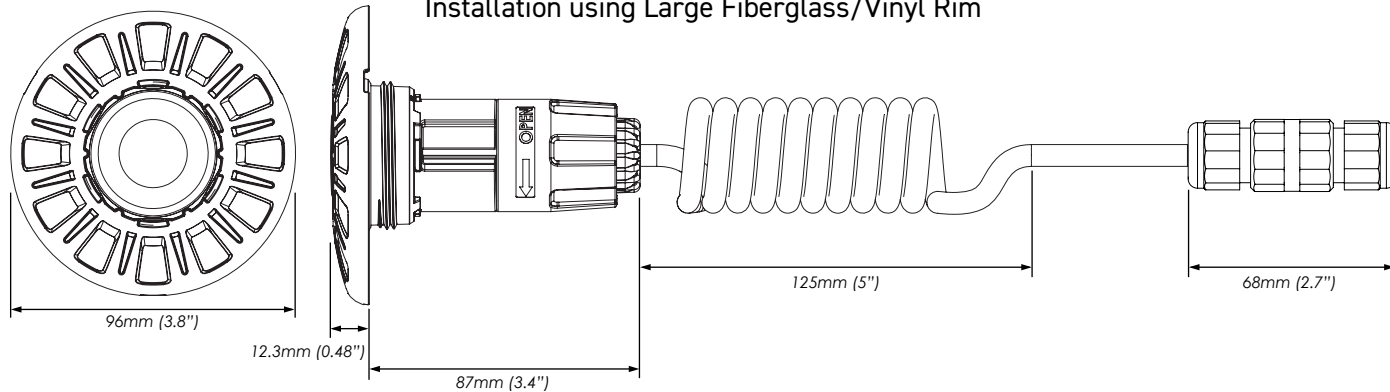


Dimensions

Installation using Small Concrete Rim



Installation using Large Fiberglass/Vinyl Rim



T1 *retro*

REPLACEMENT LED POOL LIGHT

Concrete/Fiberglass/Vinyl Installation

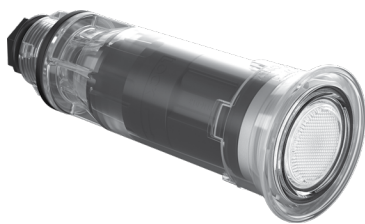
	Product Code
Titan T1 Retro Multi Plus DB Light + Grey Rims + 1.5' Thread + 0.5ft Cable w/Joiner	T1 L12 R1 GMP
Titan T1 Retro Multi Plus DB Light + White Rims + 1.5' Thread + 0.5ft Cable w/Joiner	T1 L12 R1 WMP
Retro T1 Multi Plus Light + Globrite Adapter + Plug Assembly	T1G L12 R1 MP
Retro T1 Multi Plus Light + Grey Carvin Adapter + 0.5ft Cable w/ Joiner	T1K L12 R1 GMP
Retro T1 Multi Plus Light + White Carvin Adapter + 0.5ft Cable w/ Joiner	T1K L12 R1 WMP

Replacement Lights

	Product Code
Titan T1 Multi Plus DB Light Only + 1.5" Thread	T1 L12 L0 MP

Accessories

	Product Code
Titan T1 Plug Cover	T1 001
Titan T1 Plug Top Kit	T1 003
Retro T1 Hayward 320/160 Non-Threaded Bulkhead Adapter	T1 005
Retro T1 Hayward 320/160 - 1.5" Pipe Adapter Sleeve	T1 006
Titan T1 Concrete Clear Rim	T1C 004 CL
Titan T1 Concrete Grey Rim	T1C 004 GY
Titan T1 Concrete White Rim	T1C 004 WH
Titan T1 Fiberglass/Vinyl Clear Rim	T1FV 004 CL
Titan T1 Fiberglass/Vinyl Grey Rim	T1FV 004 GY
Titan T1 Fiberglass/Vinyl White Rim	T1FV 004 WH
Retro T1 Globrite Adapter Kit w/ Plug Assembly	T1G 005
Retro T1 Carvin - Grey	T1K 004 GY
Retro T1 Carvin - White	T1K 004 WH
Titan T1 Light Locking Tool	T1 016
Titan T1 1.5" Threaded Adapter Sleeve	T1 017
Titan T1 Retro 0.5ft 18AWG Cable Coiled with Plug & Joiner	T1 18AWG 0.5 US
Titan T1 100ft 18AWG Cable Coiled w/Plug	T1 18AWG 100 US
Titan T1 150ft 18AWG Cable Coiled w/Plug	T1 18AWG 150 US



Retro T1 Globrite
Adapter



T1 001



T1 005



T1 L12 L0 MP



LiTYARD 2[®]

Outdoor Lighting Controller



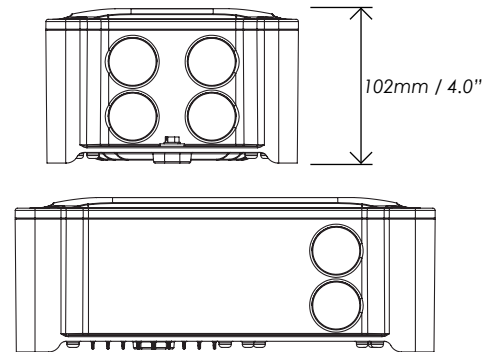
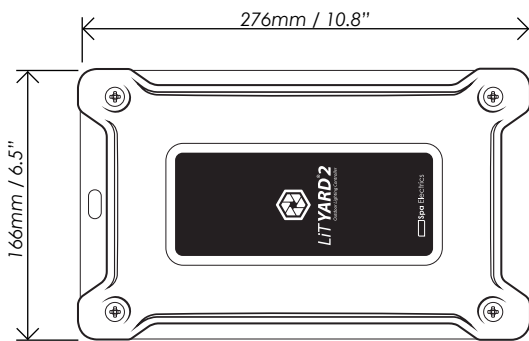
LiTYARD 2: Outdoor Lighting Controller

Purpose built for the Swimming Pool & Spa Industry:

- 100W Transformer/Controller in one
- Color, Show, and Brightness control
- RF Technology and Multi Channel
- 3 Year Warranty

Handheld Remote Features:

- Capacitive touch screen
- Made from premium materials with a scratch resistant acrylic screen
- Power button LED indicator to identify channel status



Product Description

Product Description	Product Code
LiTYARD 2 Handset only	LIT Y2 H
LiTYARD 2 Receiver Unit only	LIT Y2 RF
LiTYARD 2 WiFi Hub Unit only	LIT Y2 WF
LiTYARD 2 100W Controller only	LIT Y2X
LiTYARD 2 RF Full Kit	LIT Y2X RFH
LiTYARD 2 WiFi Full Kit	LIT Y2X WF

Product Specifications

Parameter	Specifications
Voltage	120V 60Hz
Output	12V / 13V AC
Wattage	50W / 100W
Ingress Protection	IP55+
Certification	cUL / cULus

Connections

Input	2 x DUAL 1/2" / 3/4" + 2 x 3/4" PORTS
Output	2 x DUAL 1/2" / 3/4" + 2 x 3/4" PORTS



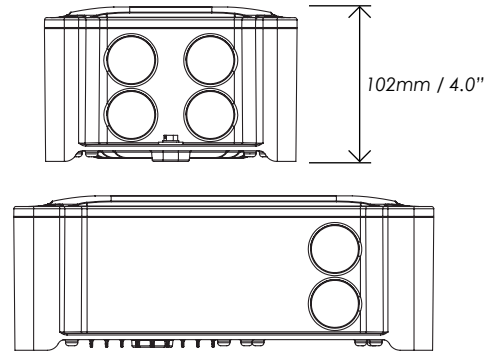
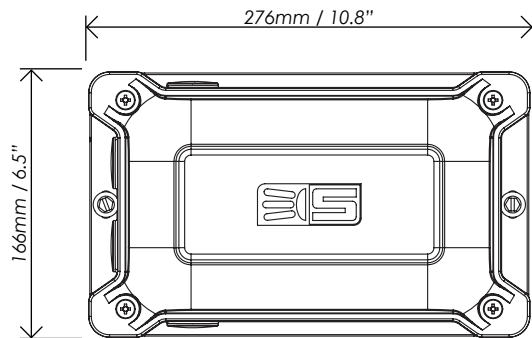
LVX Series: Safety Isolating Transformer

Purpose built for the Swimming Pool & Spa Industry:

- High quality Toroidal Coil
- New Innovative Case that allows for installation in multiple orientations
- Designed for quick and easy installation
- 3 Year Warranty

Toroidal Coil Features:

- Greater Efficiency and Power Stability than a standard EI Coil
- Consumes less energy and lasts longer than traditional units



Transformer

Product Code

50VA Transformer w/ Termination Enclosure
100VA Transformer w/ Termination Enclosure

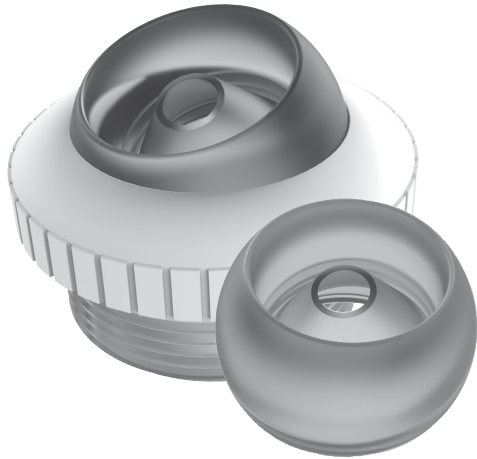
LVX50
LVX100

Product Specifications

Parameter	Specifications
Voltage	120V 60Hz
Output	12V / 13V AC
Wattage	50W / 100W
Ingress Protection	IP55+
Certification	cUL / cULus

Connections

Input	2 x DUAL 1/2" / 3/4" + 2 x 3/4" PORTS
Output	2 x DUAL 1/2" / 3/4" + 2 x 3/4" PORTS



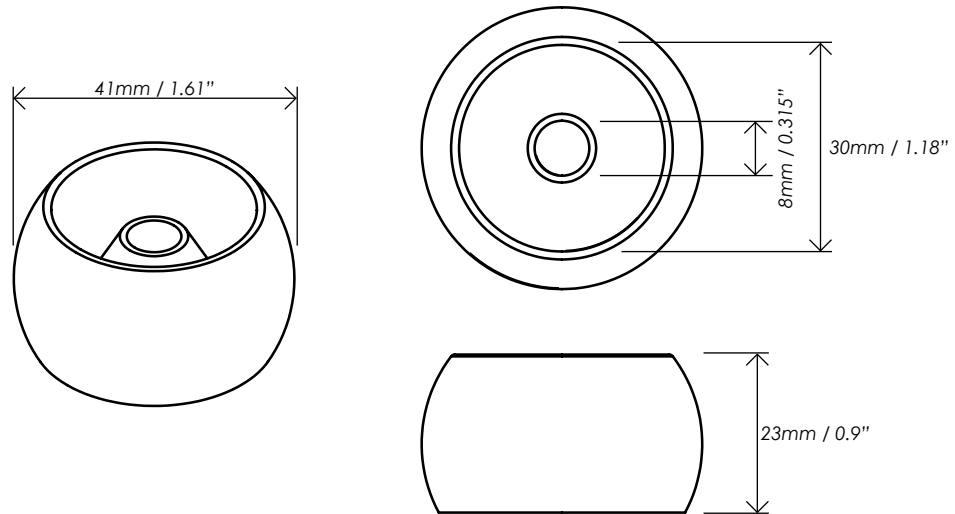
Variable Flow Return

Purpose built for Variable Speed Pumps:

- Patented central Eyeball
- Eyeball adjusts to maintain water velocity
- Fits standard return outlets
- 1 Year Warranty

Performance Features:

- Improved Water Circulation
- Energy Efficient Use of Pump
- Quieter Pump Operation



Variable Return Outlets

	Quantity	Product Code
Threaded Fitting & Insert - Black	1	EB SPT VF US BK
Threaded Fitting & Insert - Grey	1	EB SPT VF US GY
Threaded Fitting & Insert - White	1	EB SPT VF US WH
Threaded Fitting & Insert 4-Pack - Black	4	EB SPT VF US4 BK
Threaded Fitting & Insert 4-Pack - Grey	4	EB SPT VF US4 GY
Threaded Fitting & Insert 4-Pack - White	4	EB SPT VF US4 WH

Variable Eyeball for Standard Return Outlets

	Quantity	Product Code
1x 1in iBoostPro Insert	1	EB RP VF US
4x 1in iBoostPro Insert	4	EB RP VF US4
50x 1in iBoostPro Insert	50	EB RP VF US50
100x 1in iBoostPro Insert	100	EB RP VF US100

Terms of Trade

Notice to Customers

These Terms of Trade apply to the sale of Products to the customer (Customer) by Spa Electrics, Inc. (Spa Electrics).

Spa Electrics may alter these Terms of Trade from time to time.

Warranty Details

How to process a new warranty claim?

If you have a warranty claim please complete our online warranty submission form via <https://www.spaelectrics.com/warranty> with all the requested information. Upon completion of this form, a Spa Electrics representative will contact you within 48 hours.

If you are unable to contact us via the website, or need a form, please email techus@spaelectrics.com or contact us on 1-800-708-5545.

All sales of Products by Spa Electrics to the Customer shall be on the following terms:

Customer Setup

Setting up as a customer in our system can be done at www.spaelectrics.com/customer-setup-form.

Order

Orders may be submitted online at www.spaelectrics.com/salesorder. An order can also be placed by phone, fax or email and must include the preferred delivery date for the Products and collection or freight arrangements for the Products.

All Products shall be shipped CIF, Spa Electrics in Ringgold, Georgia (Facility).

Price

The Customer shall pay Spa Electrics the price of the Products as set out in Spa Electrics' current (at the date of order) price book for the Customer as in effect at the date of order. Spa Electrics may at its discretion change the Customer's price book at any time by giving written notice to the Customer.

Delivery

Spa Electrics shall ship the Products to the delivery address provided by the Customer, unless the Customer advises Spa Electrics that the Customer will arrange for pickup of the Products at the Spa Electrics Facility. Spa Electrics shall charge the Customer for shipping costs, unless otherwise agreed.

Payment

Unless Spa Electrics has approved in writing a credit limit for the Customer, and the amount owed by the Customer (including the price of the Products ordered) does not exceed that credit limit, payment for the Products shall be required prior to shipment to the Customer, using a credit card.

Spa Electrics shall issue a statement of account to the Customer following the end of each calendar month. Where payment prior to shipment is not required by Spa Electrics, payment shall be due in cleared funds within thirty (30) days of the date of the statement of account, unless otherwise agreed.

If any amount remains unpaid for forty five (45) days from the account statement date, the Customer may be charged interest on at the rate of 9% per annum calculated daily on a compounding basis.

The Customer may be charged expenses incurred by Spa Electrics in relation to bad checks and collection services relating to overdue accounts, including but not limited to debt collection fees and legal costs.

Spa Electrics prefers payments via credit card or bank ACH (in cleared funds) to Spa Electrics' nominated bank account.

Taxes

When shipping to a tax-exempt address, the Resale Certificate needs to be provided with the PO or prior to it to be considered on that order and all future orders during the terms of the certificate. After expiry, a new certificate must be provided with the first order of the year following the expiry or taxes will automatically resume. Sales Tax can not be adjusted after invoiced. It is solely the responsibility of the purchaser to present and consistently provide a resale certificate prior to invoicing to receive their exemption.

Risk and Title to Products

Title to the Products does not pass to the Customer until Spa Electrics receives full payment of the purchase price for those Products (in cleared funds and without deduction or set off) preferably using credit card or cleared bank funds.

Risk of loss or damage to the Products shall pass to the Customer upon shipment of the Products from date of shipment receipt, unless FOB terms are arranged by the Customer whereby risk will pass upon date of shipment.

Any claims for product damage or shortage are to be notified to Spa Electrics immediately upon receipt, or if shipped under FOB terms, with the freight company immediately upon receipt of goods.

Sales Order Form

Date: _____

Name: _____

Email: _____

Company: _____

Website: _____

Billing Address

Shipping Information *(if different from Billing)*

Attention Name: _____

Attention Name: _____

Phone Number: _____

Phone Number: _____

Company: _____

Company: _____

Address: _____

Address: _____

City: _____ State: _____ Zip: _____

City: _____ State: _____ Zip: _____

Company Type: _____

Tax Exempt: Yes No

Type of Pools Built: _____

Federal Tax ID Number: _____

Controller Type Used: _____

Business License Number: _____

Dock Availability: Yes No

Group or Distributor Affiliation: _____

Product	Description	Qty	Unit Price	Line Total

Sub Total: _____

Taxes: _____

TOTAL _____

Spa Electrics, Inc.

42 Southpark Lane Ringgold, GA 30736

Phone 1-800-708-5545

Web www.spaelectrics.com

