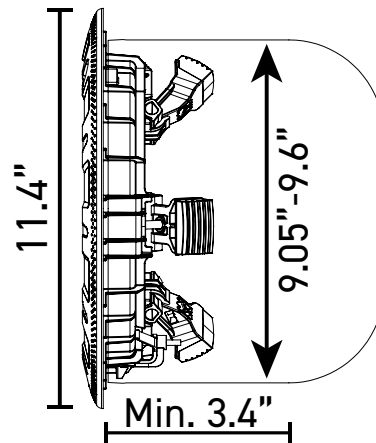
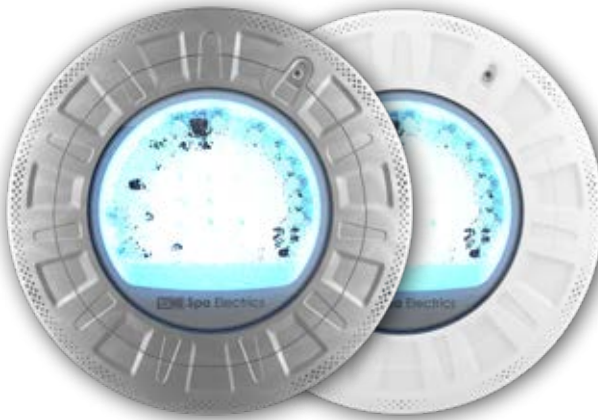


## NICHE DIAMETER AND RETRO-FIT OPTION

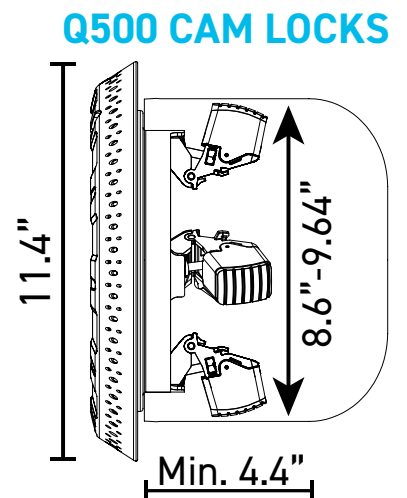
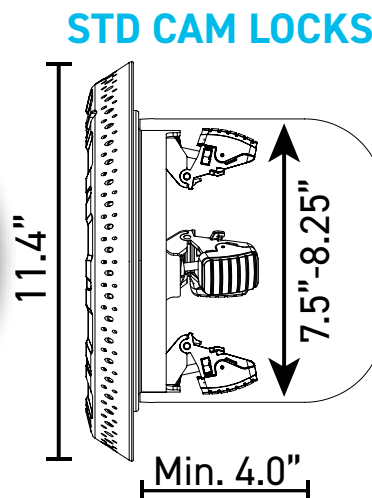
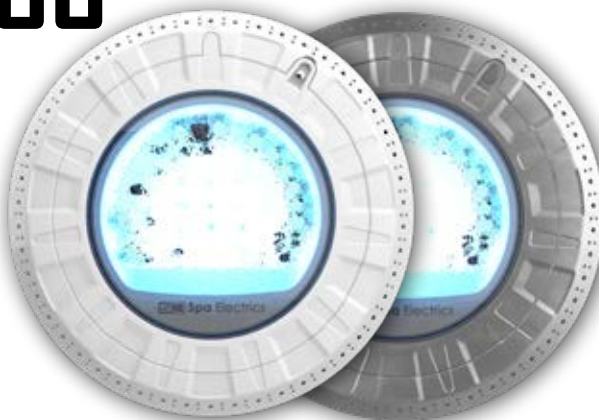
Niche/Pipe Diameter & [Depth]	Recommended Retro-Fit	Rim Colors	LED Options
9.05" - 9.6" [Minimum Niche Depth 3.4"]	<b>R10C</b>	White, Grey	Multi PLUS, Blue, White 4000K, White 3000K
Hayward LFGUY Shallow Niche	<b>R10H</b>	White, Grey	Multi PLUS, Blue, White 4000K, White 3000K
7.5" - 8.25" [Minimum Niche Depth 4.0"]	<b>R8C</b> with standard cam locks	White, Grey	Multi PLUS, Blue, White 4000K, White 3000K
8.6" - 9.64" [Minimum Niche Depth 4.4"]	<b>R8C</b> with Q500 cam locks <i>(sold separately)</i>	White, Grey	Multi PLUS, Blue, White 4000K, White 3000K
4.75" - 5.2" [Minimum Niche Depth 4.7"]	<b>R6C</b> with standard cam locks	White, Grey	Multi PLUS
5.8" - 6.5" [Minimum Niche Depth 5.0"]	<b>R6C</b> with Q500 cam locks <i>(sold separately)</i>	White, Grey	Multi PLUS
BLUESQUARE SPECTRUM™ 360 Niche	<b>R6B</b> Blue Square Adapter	White, Grey	Multi PLUS
1.5" Threaded Fitting	<b>N1 R1</b>	Clear	Multi PLUS
PAL Threaded Niche	<b>N1 R2</b>	Clear	Multi PLUS

## R10C

Vinyl Trim  
Rings  
available:  
**R10V 0021**



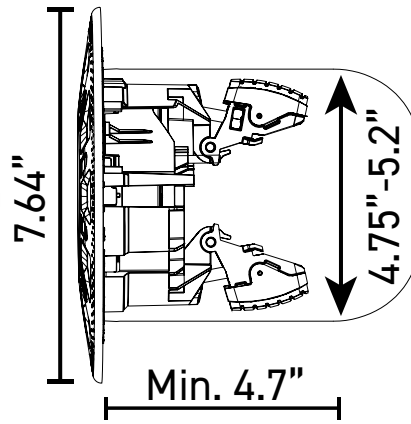
## R8C



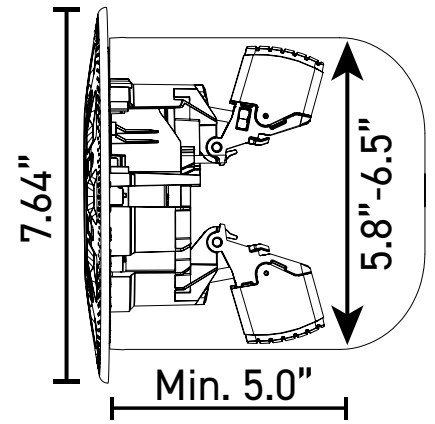
# R6C



## STD CAM LOCKS

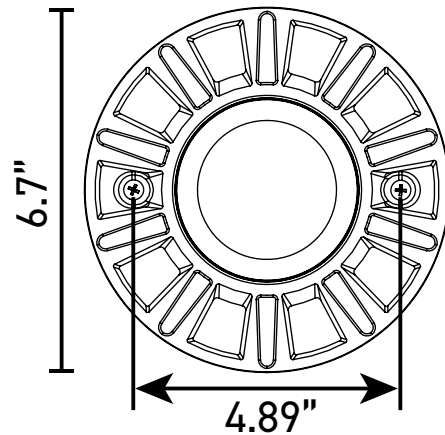


## Q500 CAM LOCKS



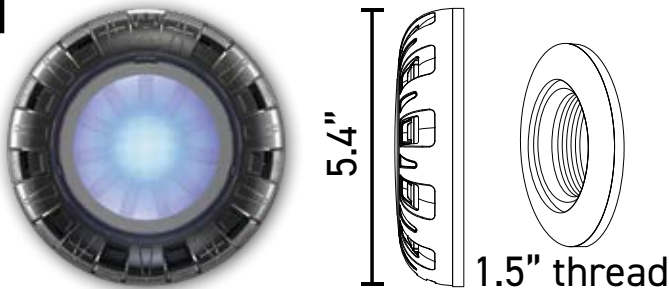
# R6B

Vinyl Trim Rings available: R6V 0021

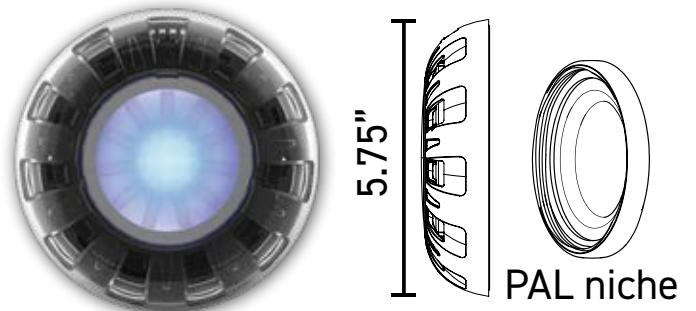


# N1

## R1 1.5" THREADED



## R2 PAL THREADED NICHE



Minimum Required Niche Depths are measured from the pool wall to the end of the flat surface area in the niche. Do NOT include curved areas at the back of the niche in your measurements.

