

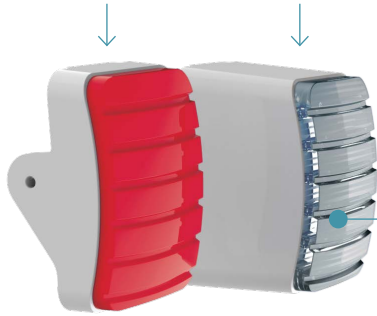
Compatibility

ALL MAJOR POOL CONTROLLER BRANDS:

Pentair® Hayward® Jandy®

SUITS ALL MAJOR NICHE BRANDS:

4.75 - 5.2 inches 5.8 - 6.6 inches



Standard CAM-LOCK
Comes included.

Q500 Cartridge CAM-LOCK
(Sold Separately)
Optional accessory
for retro-fitting the
Jacuzzi Q500 niche.



PRODUCT SPECIFICATION

VOLTAGE:	10.5 - 13V AC
WATTAGE:	15w
INGRESS PROTECTION:	IPX8
SUITABLE FOR:	Most 6" Niches
COMPATIBLE:	Extra Safe Low Voltage LITYARD 2 and LVX Series

LED COLOR	LED ARRAY	WAVELENGTH	LUMENS	COLOR TEMP
MULTIPLUS:	RGB+W	Varies	1000lm	4000K

© Niche and Pool Controller brands mentioned remain copyright of respective manufacturers

Secure Fit

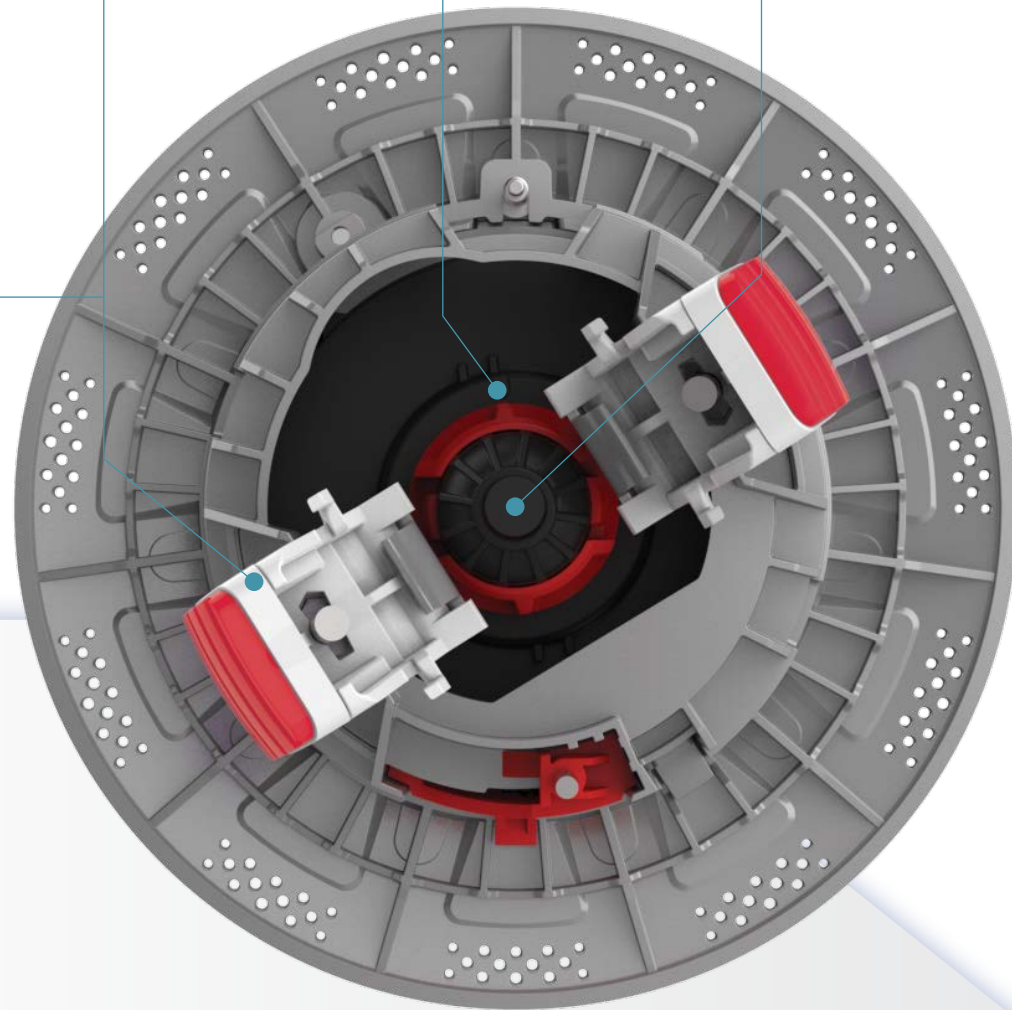
Universal Adaptor
with patent-pending
CAM-LOCKS

Super Cool

Forward-facing
Heat sink maximises
cooling efficiency

UL Listed

Simpler installation
and servicing
quick-connect plug



retro
REPLACEMENT LED POOL LIGHT



QUICK-CONNECT
PLUG

12V AC
— LOW —

EXTRA
LOW VOLTAGE



CAM-LOCK SYSTEM

**UNIVERSAL 6" REPLACEMENT
POOL & SPA LIGHT**

COMPATIBLE WITH 6" NICHES

For more information on the Retro R6 and
our other products, please visit our website
or contact our US Office:

Toll Free: 1800 708 5545

Email: info@spaelectrics.com

Web: www.spaelectrics.com

Spa Electrics®

spaelectrics.com |

R6

20251009

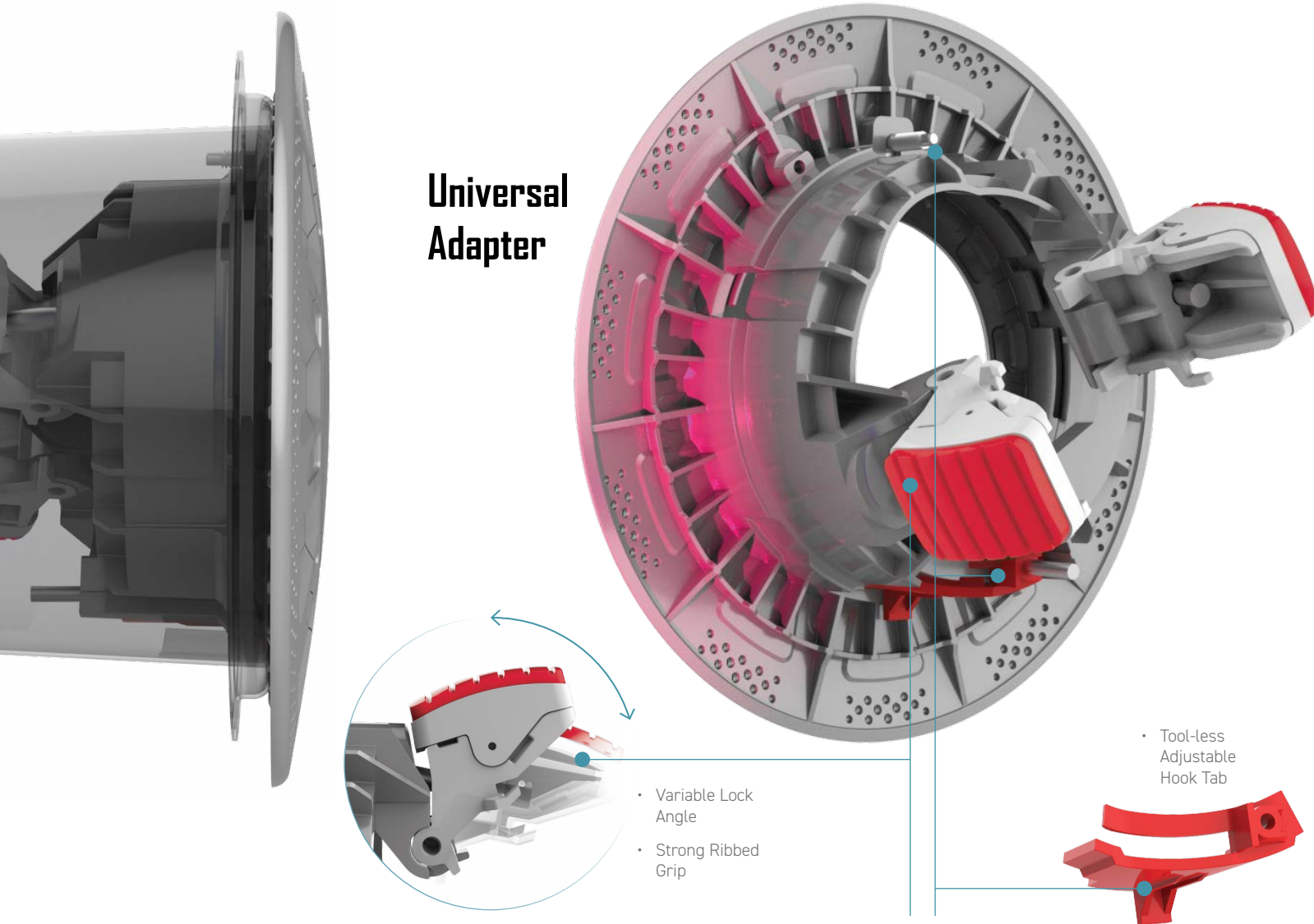
Spa Electrics®

Designed by Builders for Builders

The only **Retro-Fit** light for 6" Niches you will ever need

R6

Universal Adapter



Interchangeable CAM-LOCK System

Simple and adaptable, the **R6** bracket has been designed to include **interchangeable CAM-LOCKS** to suit any 6" niche (ID 4.75 - 5.2 & 5.8 -6.6 (Q500 cam-locks required- R6C 006 Q5)).

There's no need for expensive repair work, as **Retro R6's Universal Adapter** doesn't rely on intact niche mounting hooks or screws for installation.

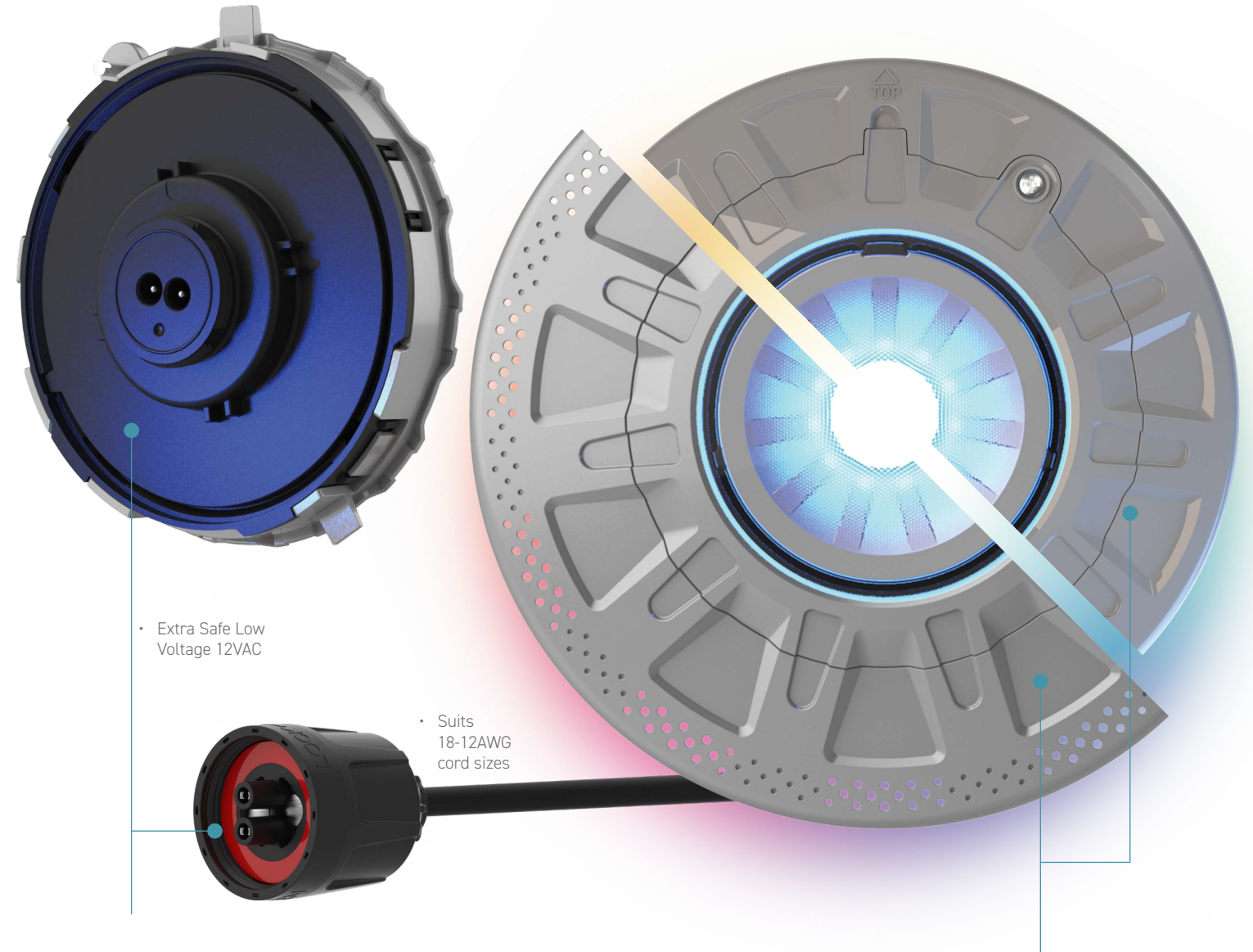
It's **patented CAM-LOCKS** grip the niche wall as they're fitted, pulling the light and niche together for a secure fit.

Standard Installation

If the existing niche mounting hooks and screws are intact, **Retro R6** supports standard installation via the **HOOK TAB** at the base and the front facing screw at the top.

The **HOOK TAB** at the base adjusts to suit all major brand niche tabs, without the need for extra washers or spacers.

Light Adapter



Quick Connect Plug

Say goodbye to changing cables forever with **Retro R6's Quick Connect Plug**.

Connecting to the existing pool light cable in the niche, the **UL Listed Quick Connect Plug** ensures fast and reliable installation while also enabling easier future servicing in the field.

The **Retro R6** is available in two rim sizes to suit a variety of applications (R6N 008 or R6C 008).

The **R6** provides superior illumination to deliver a lighting solution for your pool or spa. The forward-facing **Heat Sink**, along with the slim design and modern profile, maximizes the longevity and performance of the light.