

## Compatibility

All major pool controller brands:

IntelliTouch®  
Omnilogic®  
AQUALINK®

### 8" Concrete niches:

The R8 Adapter is compatible with any brand niche with an internal diameter range of 7.4 inches - 8.1 inches.

## Secure Fit

Universal Adapter with  
**Patented CAM-LOCKS**

## Super Cool

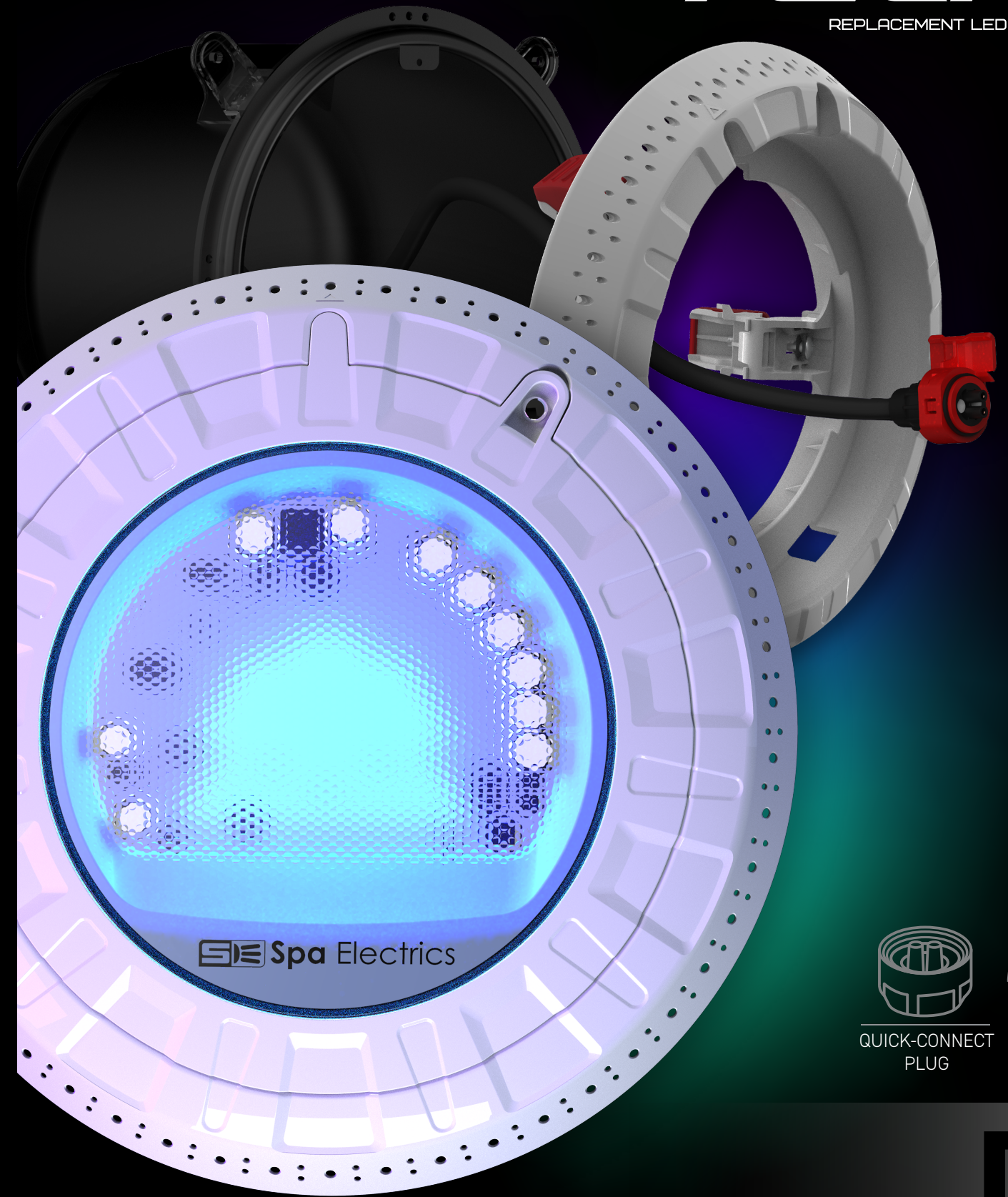
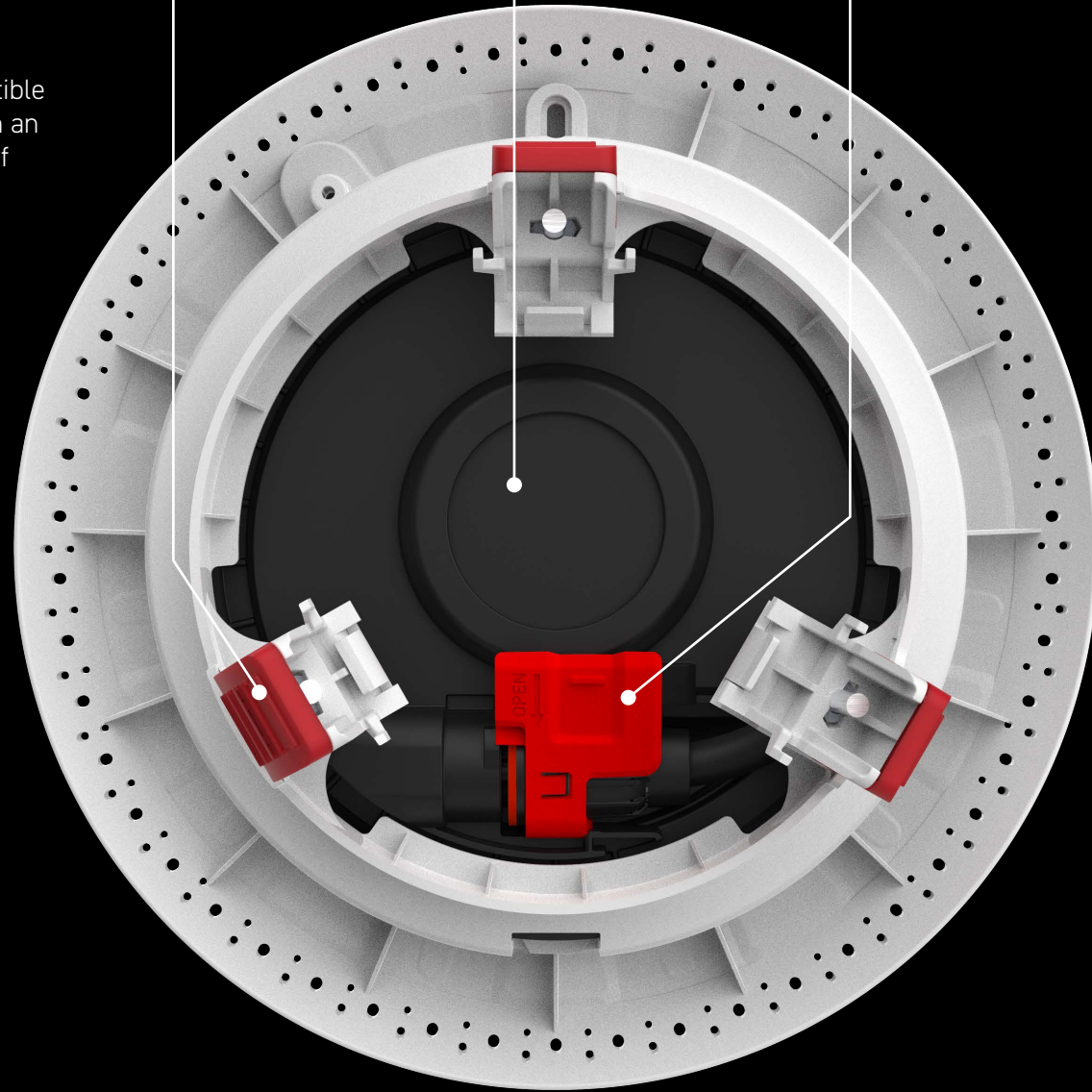
Water-cooled system  
**3000lm+ Brightness**

## UL Listed

Simpler installation  
and servicing  
**Quick Connect Plug**

# retro

REPLACEMENT LED POOL LIGHT



Scan to see more  
about our Retro Products

compatible  
with 8"  
NICHES



QUICK-CONNECT  
PLUG



PATENTED  
CAM-LOCKS



Product Specification	LED Color	LED Array	Wavelength	Lumens	Color Temp	
VOLTAGE:	10.5 - 13v AC	WHITE:	Warm	n/a	3200	3000k
WATTAGE:	45w	WHITE:	Daylight	n/a	3200	4000k
INGRESS PROTECTION:	IPX8	BLUE:	BLUE	465nm	1000	n/a
SUITABLE FOR:	8" Concrete Niches	MULTI-PLUS:	RGB+W	Varies	3200	4000k
COMPATIBLE:	Extra Safe Low Voltage LiTYARD 2 and LVX Series					

For more information on the **Retro R8**  
and our other products, please visit  
our website or contact our US Office:

Toll Free: **1 800 708 5545**  
Email: [info@spaelectrics.com](mailto:info@spaelectrics.com)  
Web: [www.spaelectrics.com](http://www.spaelectrics.com)

**Spa Electrics®**

[www.spaelectrics.com](http://www.spaelectrics.com) |

**Spa Electrics®**

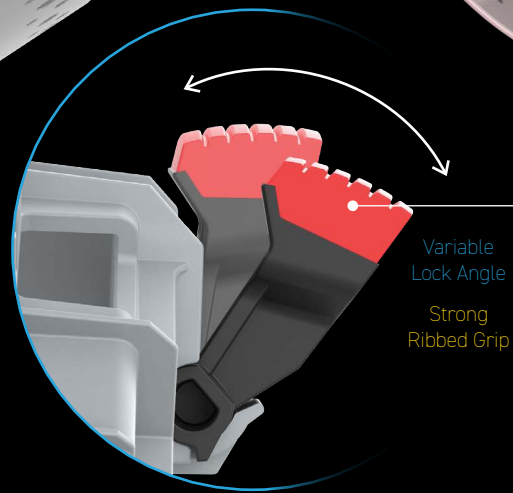
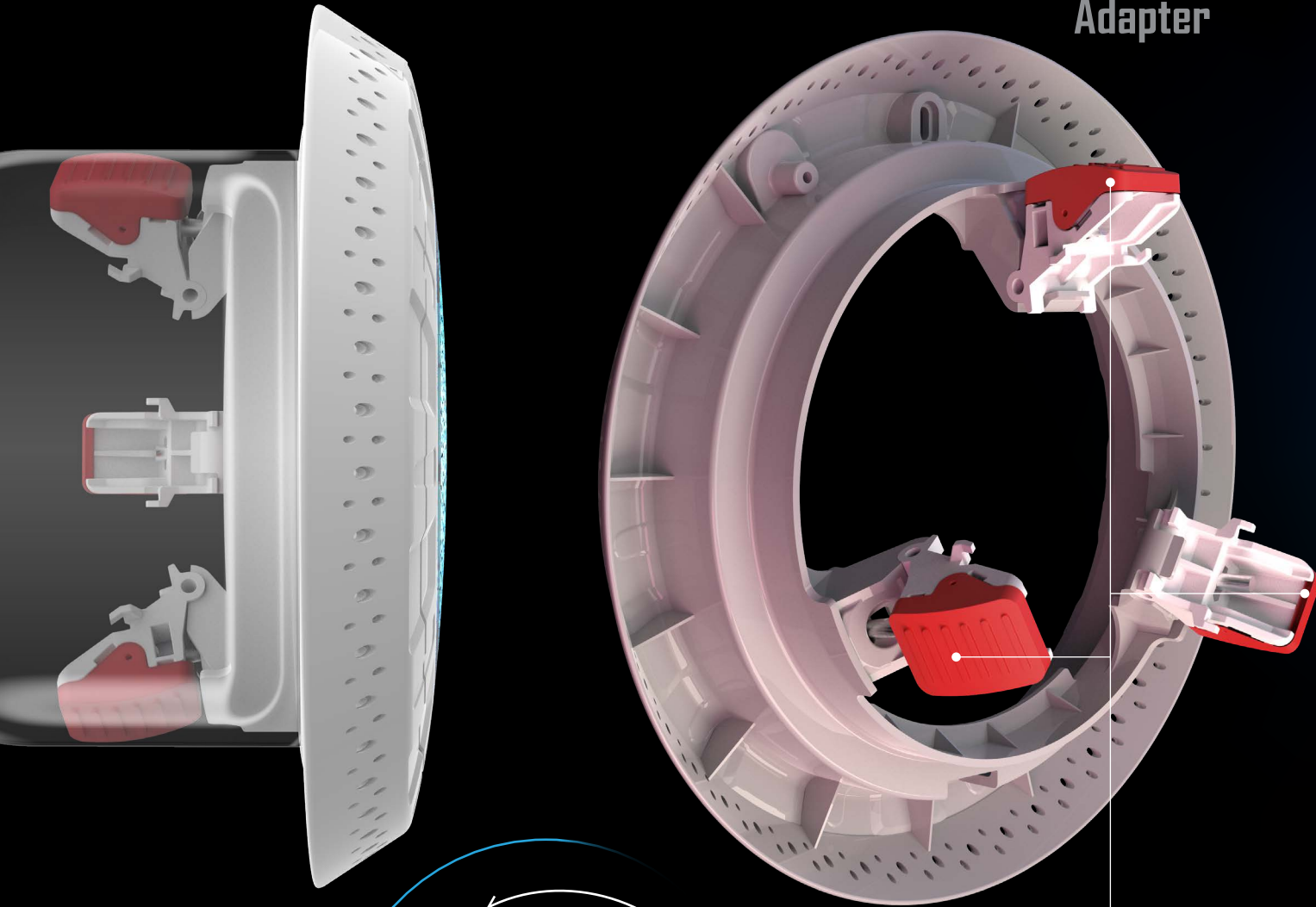
# R8

# Designed by Builders for Builders

The only **Retro-Fit** light for 8" Niches you will ever need!

# R8

## Universal Adapter

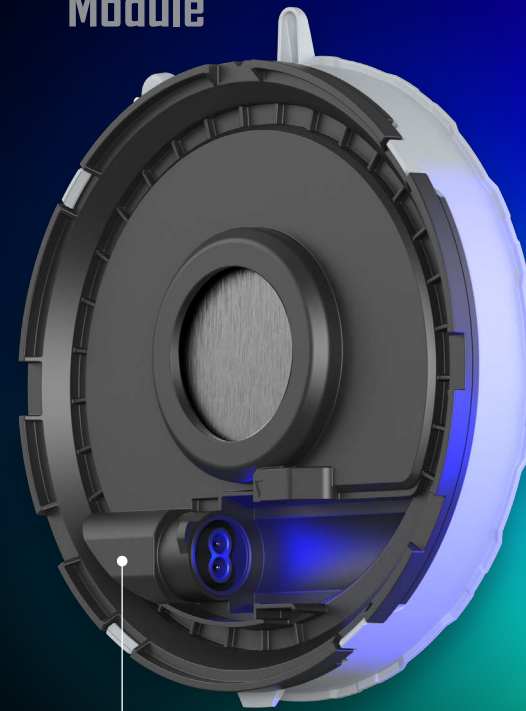


Variable Lock Angle  
Strong Ribbed Grip

## CAM-LOCK Installation

There's no need for expensive repair work, as Retro R8's Universal Adapter doesn't rely on intact niche mounting hooks or screws for installation. It's **patented CAM-LOCKS** grip the niche wall as they're fitted, pulling the light and niche together for a secure fit.

## Light Module

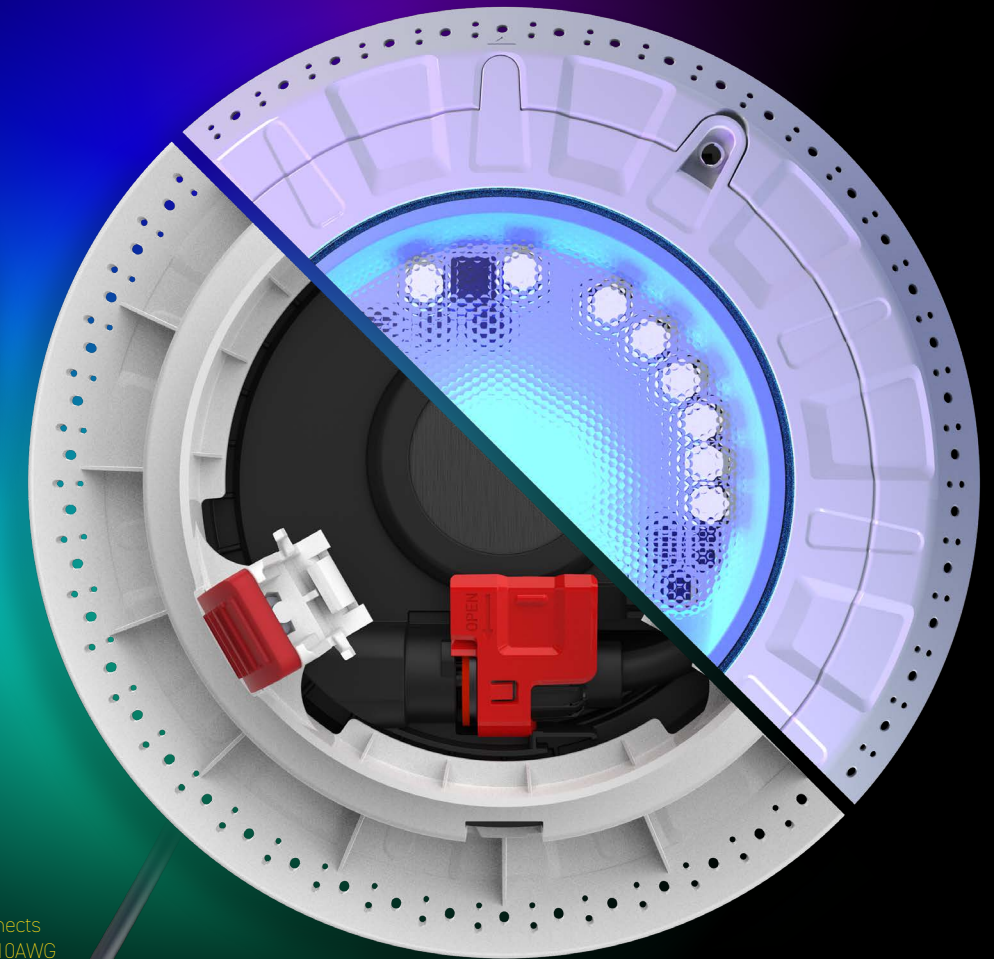


Extra Safe Low Voltage 12VAC

## Quick Connect Plug

Say goodbye to changing cables forever with Retro R8's **Quick Connect Plug**. Connecting to the existing pool light cable in the niche, the UL Listed Quick Connect Plug ensures fast and reliable installation while also enabling easier future servicing in the field.

Connects up to 10AWG cord size



Retro R8 is the brightest LED retro-fit on the market with **over 3000 lumen** output. The unique water cooled design harnesses the full cooling potential of your pools to maximize performance and extend product life. Retain the brilliance of a 300W halogen, while improving the look and safety of your pools with Retro R8.

# retro

REPLACEMENT LED POOL LIGHT